

side wall mounted rot. operator emergency-off IEC IP65 accessory for:  
3VA5 125



Model	
product brand name	SETRON
product designation	Accessories
Product version	Side wall-mounted rotary operator
Accessories	Side panel rotary operating mechanism
General technical data	
degree of protection NEMA rating	NEMA 1, 3R, 12
protection class IP	IP65
Mechanical Design	
Height	70 mm
net weight	653 g
Further information	

**Information- and Downloadcenter (Catalogs, Brochures,...)**

<http://www.siemens.com/lowvoltage/catalogs>

**Industry Mall (Online ordering system)**

<https://mall.industry.siemens.com/mall/en/en/Catalog/product?mlfb=3VA9137-0PK15>

**Service&Support (Manuals, Certificates, Characteristics, FAQs,...)**

<https://support.industry.siemens.com/cs/ww/en/ps/3VA9137-0PK15>

**Image database (product images, 2D dimension drawings, 3D models, device circuit diagrams, ...)**

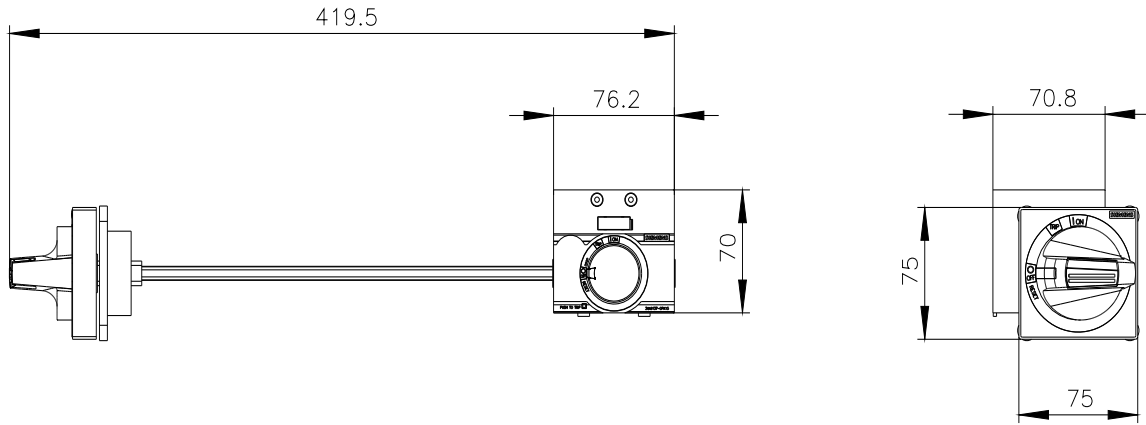
[http://www.automation.siemens.com/bilddb/cax\\_en.aspx?mlfb=3VA9137-0PK15](http://www.automation.siemens.com/bilddb/cax_en.aspx?mlfb=3VA9137-0PK15)

**CAX-Online-Generator**

<http://www.siemens.com/cax>

**Tender specifications**

<http://www.siemens.com/specifications>



last modified:

12/20/2020 

