

3-phase supply terminal for 3-phase busbar for self-protection combination motor controller (type E) for circuit breaker 3RV Size S00/S0

General technical data		
product brand name		SIRIUS
product designation		Three-phase feeder terminal
design of the product		from above, Type E, size S0/S00
size of the circuit-breaker		S00, S0
protection class IP on the front acc. to IEC 60529		IP20
touch protection on the front acc. to IEC 60529		finger-safe, for vertical contact from the front
insulation voltage with degree of pollution 3 at AC rated value	V	690
ambient temperature		
• during storage	°C	-50 ... +80
• during operation	°C	-20 ... +60
ampacity maximum	A	63
Installation/ mounting/ dimensions		
width	mm	44
height	mm	44.5
depth	mm	32
Connections/ Terminals		
type of electrical connection for main current circuit		screw-type terminals
type of connectable conductor cross-sections		
• for main contacts		
— solid		1x (2.5 ... 16 mm <sup>2</sup> )
— stranded		1x (2.5 ... 25 mm <sup>2</sup> )
— finely stranded		
— with core end processing		1x (2.5 ... 16 mm <sup>2</sup> )
• at AWG cables for main contacts		1x (10 ... 4)
Certificates/ approvals		
certificate of suitability		CE / UL / CSA / CCC
General Product Approval		Declaration of Conformity



[Confirmation](#)



[UK Declaration of Conformity](#)



Test Certificates

Marine / Shipping

[Special Test Certificate](#)

[Type Test Certificates/Test Report](#)



Marine / Shipping

other

Railway



[Confirmation](#)



[Vibration and Shock](#)

#### Further information

Information- and Downloadcenter (Catalogs, Brochures,...)

<https://www.siemens.com/ic10>

Industry Mall (Online ordering system)

<https://mall.industry.siemens.com/mall/en/en/Catalog/product?mlfb=3RV2925-5EB>

Cax online generator

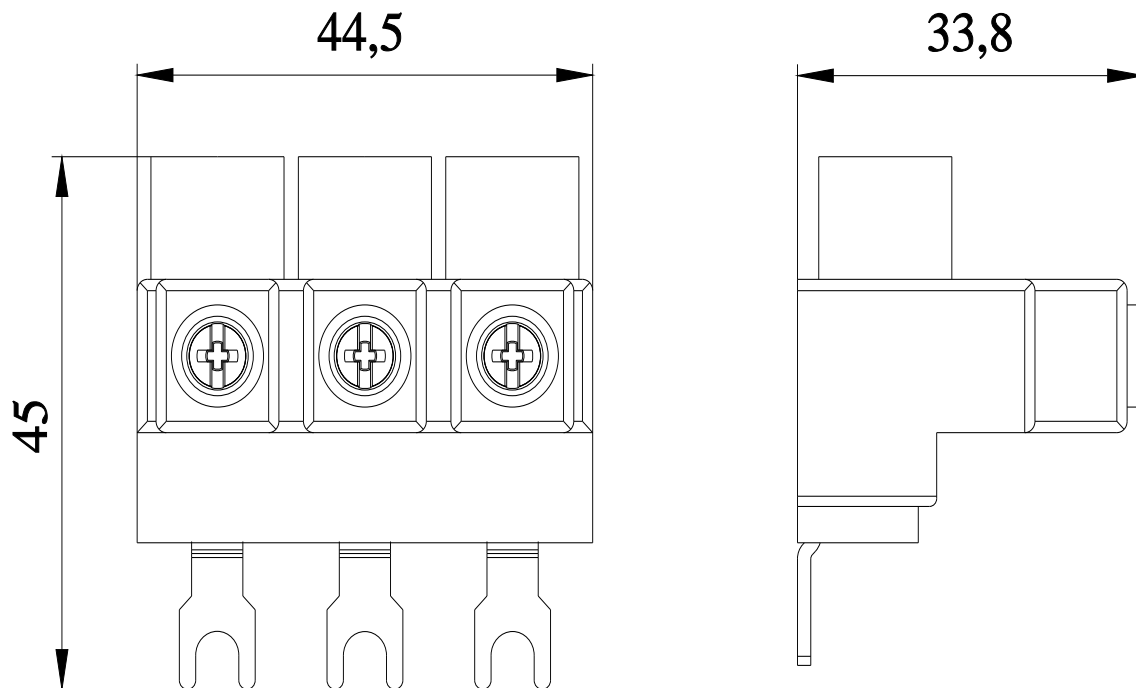
<http://support.automation.siemens.com/WW/CAXorder/default.aspx?lang=en&mlfb=3RV2925-5EB>

Service&Support (Manuals, Certificates, Characteristics, FAQs,...)

<https://support.industry.siemens.com/cs/ww/en/ps/3RV2925-5EB>

Image database (product images, 2D dimension drawings, 3D models, device circuit diagrams, EPLAN macros, ...)

[http://www.automation.siemens.com/bilddb/cax\\_de.aspx?mlfb=3RV2925-5EB&lang=en](http://www.automation.siemens.com/bilddb/cax_de.aspx?mlfb=3RV2925-5EB&lang=en)



last modified:

12/15/2020