

RJ45 connection: 22 mm, metal shiny, silver



product brand name	SIRIUS ACT
product designation	RJ45 connection
design of the product	RJ-45 Cat. 5e
product type designation	3SU1
product line	Metal, shiny, 22 mm

**Actuator**

outer diameter of the actuating element	29.45 mm
---	----------

**General technical data**

protection class IP	IP65
Substance Prohibance (Date)	01.10.2014

**Ambient conditions**

ambient temperature	
• during operation	-25 ... +70 °C
• during storage	-40 ... +80 °C

**Installation/ mounting/ dimensions**

shape of the installation opening	round
mounting diameter	22.3 mm
mounting height	11.7 mm
installation width	29.45 mm
installation depth	28.35 mm

**Accessories**

material of accessory	Metal
color of accessory	Silver

**Certificates/ approvals**

General Product Approval	Declaration of Conformity
--------------------------	---------------------------



[UK Declaration of Conformity](#)

**Test Certificates    Marine / Shipping**

[Type Test Certificates/Test Report](#)



[Confirmation](#)

Further information

Information- and Downloadcenter (Catalogs, Brochures,...)

<https://www.siemens.com/ic10>

Industry Mall (Online ordering system)

<https://mall.industry.siemens.com/mall/en/en/Catalog/product?mlfb=3SU1950-0GB80-0AA0>

Cax online generator

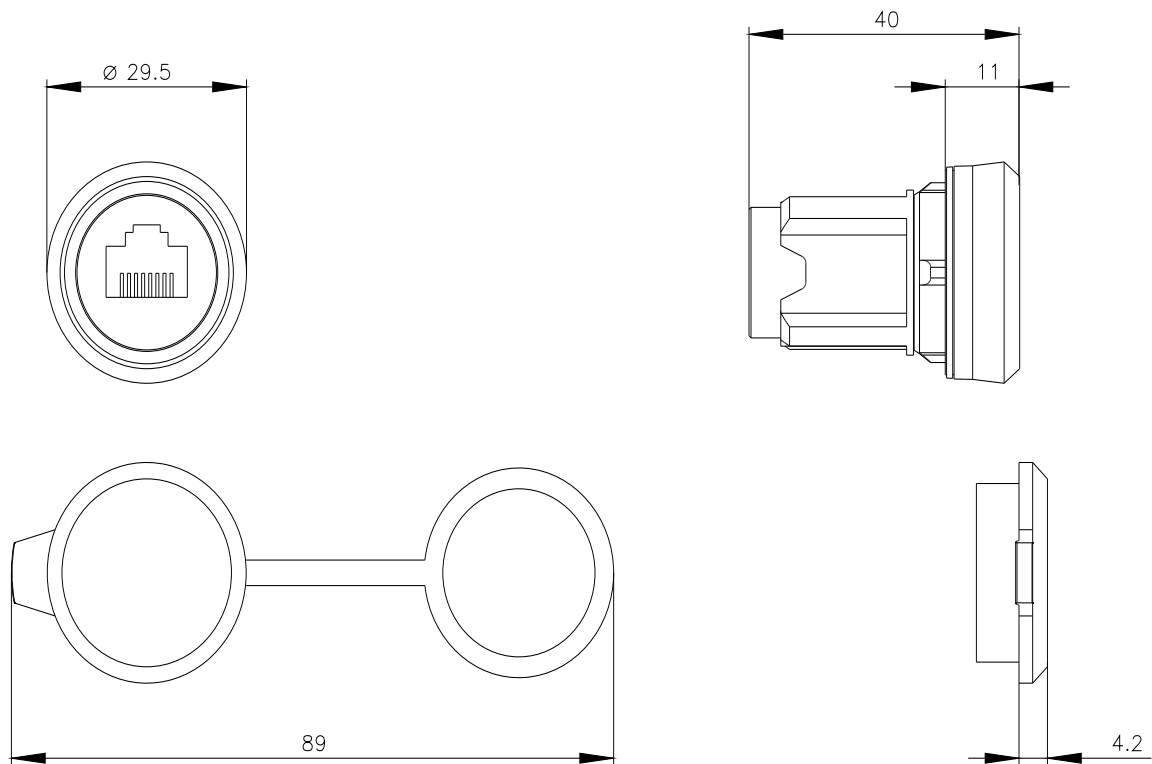
<http://support.automation.siemens.com/WW/CAXorder/default.aspx?lang=en&mlfb=3SU1950-0GB80-0AA0>

Service&Support (Manuals, Certificates, Characteristics, FAQs,...)

<https://support.industry.siemens.com/cs/ww/en/ps/3SU1950-0GB80-0AA0>

Image database (product images, 2D dimension drawings, 3D models, device circuit diagrams, EPLAN macros, ...)

[http://www.automation.siemens.com/bilddb/cax\\_de.aspx?mlfb=3SU1950-0GB80-0AA0&lang=en](http://www.automation.siemens.com/bilddb/cax_de.aspx?mlfb=3SU1950-0GB80-0AA0&lang=en)



last modified:

12/21/2020