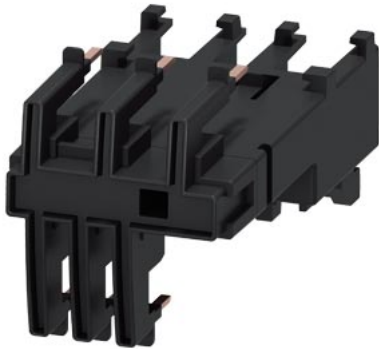


Link module Electrical and mechanical for 3RV2011 and 3RT201. Spring-type terminal



General technical data

product brand name	SIRIUS
product designation	link module
design of the product	actuating voltage contactor: AC and DC
size of the circuit-breaker	S00
size of contactor	S00

Installation/ mounting/ dimensions

fastening method	clip-on
------------------	---------

Certificates/ approvals

General Product Approval	Declaration of Conformity	Test Certificates
--------------------------	---------------------------	-------------------



[UK Declaration of Conformity](#)

[Type Test Certificates/Test Report](#)

Test Certificates Marine / Shipping

[Special Test Certificate](#)



Marine / Shipping other Railway



[Confirmation](#)

[Vibration and Shock](#)

Further information

Information- and Downloadcenter (Catalogs, Brochures,...)

<https://www.siemens.com/ic10>

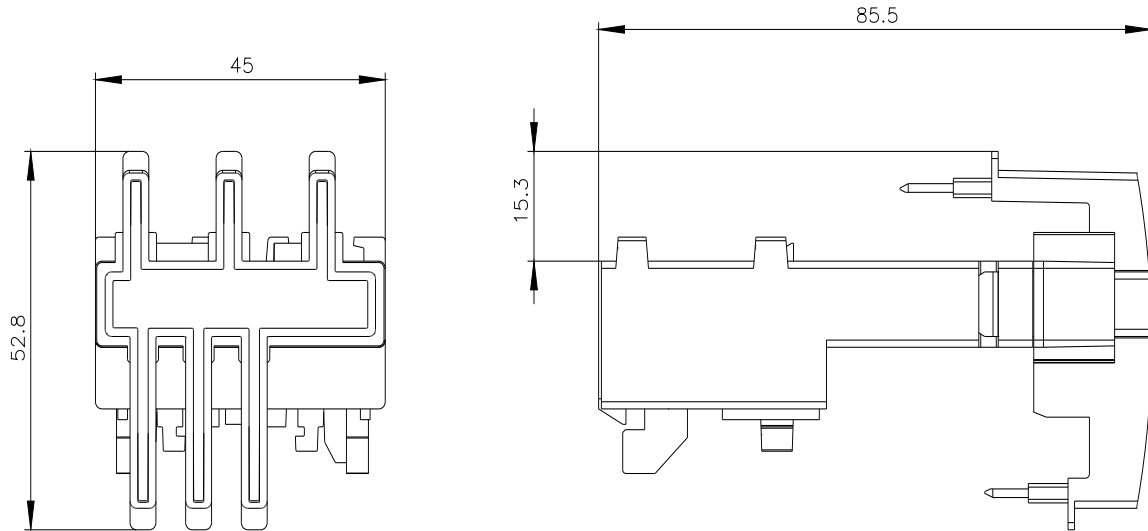
Industry Mall (Online ordering system)

<https://mall.industry.siemens.com/mall/en/en/Catalog/product?mlfb=3RA2911-2AA00>

Cax online generator

<http://support.automation.siemens.com/WW/CAXorder/default.aspx?lang=en&mlfb=3RA2911-2AA00>

Service&Support (Manuals, Certificates, Characteristics, FAQs,...)



last modified:

12/23/2020 