

Connection element, with end cover, black, for pipe mounting, with screw terminal,



General technical data			
product brand name	SIRIUS		
product designation	Connection element		
material	PA		
color	black		
fastening method	mounting on pipes		
reference code			
• acc. to DIN EN 61346-2	X		
• acc. to IEC 81346-2	X		
Mechanical data			
type of electrical connection	screw-type terminals		
outer diameter of the signal column element	70 mm		
tightening torque with screw-type terminals	0.4 N·m		
Ambient conditions			
ambient temperature during operation	-20 ... +50 °C		
protection class IP	IP65		
height	42.5 mm		
width	70 mm		
Certificates/ approvals			
General Product Approval	EMC	Declaration of Conformity	other



[UK Declaration of Conformity](#)



[Confirmation](#)

### Further information

Information- and Downloadcenter (Catalogs, Brochures,...)

<https://www.siemens.com/ic10>

Industry Mall (Online ordering system)

<https://mall.industry.siemens.com/mall/en/en/Catalog/product?mlfb=8WD4408-0AA>

Cax online generator

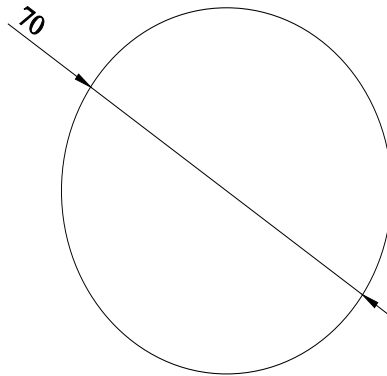
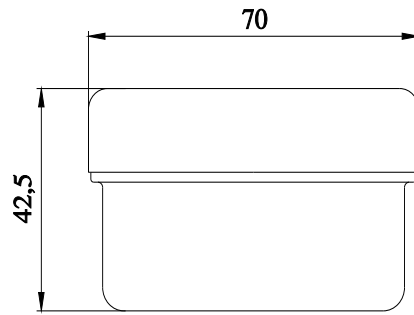
<http://support.automation.siemens.com/WW/CAXorder/default.aspx?lang=en&mlfb=8WD4408-0AA>

Service&Support (Manuals, Certificates, Characteristics, FAQs,...)

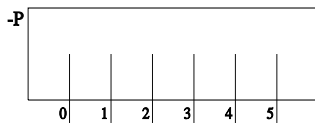
<https://support.industry.siemens.com/cs/ww/en/ps/8WD4408-0AA>

Image database (product images, 2D dimension drawings, 3D models, device circuit diagrams, EPLAN macros, ...)

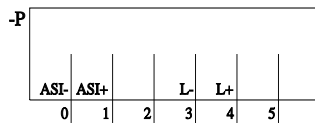
[http://www.automation.siemens.com/bilddb/cax\\_de.aspx?mlfb=8WD4408-0AA&lang=en](http://www.automation.siemens.com/bilddb/cax_de.aspx?mlfb=8WD4408-0AA&lang=en)



Standard



ASI



IO-Link

