

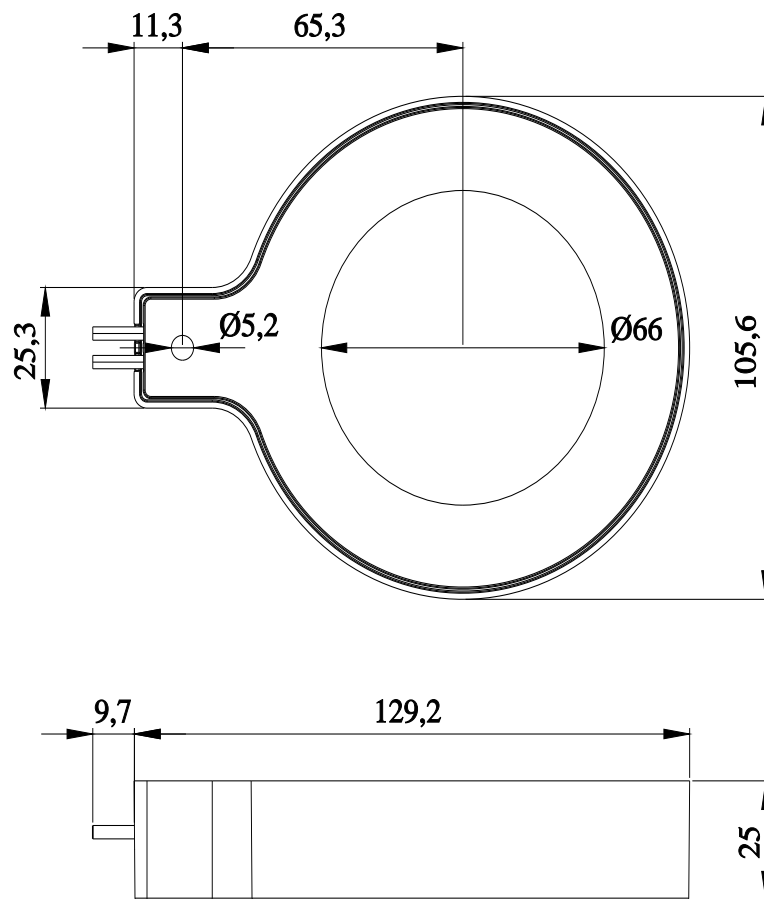
SOLID CORE CT 800:0.1



accuracy class of the current transformer	1.0 S
phase number	3
suitability for operation	SEM3 REPLACEMENT PARTS
<b>Model</b>	
product brand name	SIEMENS
product sub brand name	SEM3
product type designation	SOLIDCORE
<b>General product approval</b>	
certificate of suitability	UL916
<b>Declaration of Conformity</b>	other



[Miscellaneous](#)



last modified:

4/27/2021 

