













SIRIUS safety relay Basic unit Advanced series Relay enabling circuits 3 NO contacts plus Relay signaling circuit 1 NC contact $U_s = 24\text{ V DC}$ screw terminal

General technical data	
product brand name	SIRIUS
product category	Safety relays
product designation	safety relays
design of the product	Relay enabling circuits
protection class IP of the enclosure	IP20
touch protection against electrical shock	finger-safe
insulation voltage rated value	300 V
ambient temperature	
• during storage	-40 ... +80 °C
• during operation	-25 ... +60 °C
air pressure acc. to SN 31205	900 ... 1 060 hPa
relative humidity during operation	10 ... 95 %
installation altitude at height above sea level maximum	2 000 m
vibration resistance acc. to IEC 60068-2-6	5 ... 500 Hz: 0.75 mm
shock resistance	10g / 11 ms
surge voltage resistance rated value	4 000 V
EMC emitted interference	IEC 60947-5-1, Class A
installation environment regarding EMC	This product is suitable for Class A environments only. It can cause undesired radio-frequency interference in residential environments. If this is the case, the user must take appropriate measures.
overvoltage category	3
degree of pollution	3
reference code acc. to IEC 81346-2	F
power loss [W] maximum	2 W
number of sensor inputs 1-channel or 2-channel	1
design of the cascading	yes
type of the safety-related wiring of the inputs	single-channel and two-channel
product feature cross-circuit-proof	Yes
Safety Integrity Level (SIL)	
• acc. to IEC 61508	3
performance level (PL)	
• acc. to EN ISO 13849-1	e
category acc. to EN ISO 13849-1	4
Safe failure fraction (SFF)	99 %
PFHD with high demand rate acc. to EN 62061	0.0000000025 1/h
PFDavg with low demand rate acc. to IEC 61508	0.000007
T1 value for proof test interval or service life acc. to IEC 61508	20 y

hardware fault tolerance acc. to IEC 61508	1
safety device type acc. to IEC 61508-2	Type B
number of outputs as contact-affected switching element	
• as NC contact	
— for signaling function instantaneous contact	1
• as NO contact	
— safety-related instantaneous contact	3
— safety-related delayed switching	0
stop category acc. to DIN EN 60204-1	0
General technical data	
design of input	
• cascading input/functional switching	Yes
• feedback input	Yes
• start input	Yes
type of electrical connection plug-in socket	No
operating frequency maximum	360 1/h
switching capacity current	
• of the NO contacts of the relay outputs	
— at DC-13	
— at 24 V	5 A
— at 115 V	0.2 A
— at 230 V	0.1 A
— at AC-15	
— at 115 V	5 A
— at 230 V	5 A
• of the NC contacts of the relay outputs	
— at DC-13	
— at 24 V	1 A
— at 115 V	0.2 A
— at 230 V	0.1 A
— at AC-15	
— at 115 V	1.5 A
— at 230 V	1.5 A
thermal current of the switching element with contacts maximum	5 A
operational current at 17 V minimum	5 mA
total current maximum	12 A
mechanical service life (switching cycles) typical	10 000 000
design of the fuse link for short-circuit protection of the NO contacts of the relay outputs required	gL/gG: 6A or circuit breaker type A: 3A or circuit breaker type B: 2A or circuit breaker type C: 1A
design of the fuse link for short circuit protection of the NC contacts of the relay outputs required	Diazed or Neozed fuses, operating class gL/gG: 6 A or MCB type A: 2 A or MCB type B: 2 A or MCB type C: 1 A
wire length	
• with Cu 1.5 mm ² and 150 nF/km per sensor circuit maximum	4 000 m
make time with automatic start	
• at DC maximum	110 ms
make time with automatic start after power failure	
• typical	6 500 ms
• maximum	6 500 ms
make time with monitored start	
• maximum	110 ms
backslide delay time after opening of the safety circuits typical	40 ms
backslide delay time in the event of power failure	
• typical	30 ms
• maximum	50 ms
recovery time after opening of the safety circuits typical	30 ms
recovery time after power failure typical	6.5 s
pulse duration	

<ul style="list-style-type: none"> of the sensor input minimum of the ON pushbutton input minimum 	75 ms 0.15 s		
Control circuit/ Control			
type of voltage of the control supply voltage	DC		
control supply voltage			
<ul style="list-style-type: none"> at DC — rated value 	24 V		
operating range factor control supply voltage rated value of magnet coil			
<ul style="list-style-type: none"> at DC 	0.8 ... 1.2		
Installation/ mounting/ dimensions			
mounting position	any		
required spacing for grounded parts at the side	5 mm		
fastening method	screw and snap-on mounting		
width	22.5 mm		
height	100 mm		
depth	121.6 mm		
Connections/ Terminals			
type of electrical connection	screw-type terminals		
type of connectable conductor cross-sections			
<ul style="list-style-type: none"> solid finely stranded — with core end processing 	1x (0.5 ... 2.5 mm ²), 2x (1.0 ... 1.5 mm ²) 1x (0.5 ... 2.5 mm ²), 2x (0.5 ... 1.0 mm ²)		
type of connectable conductor cross-sections at AWG cables			
<ul style="list-style-type: none"> solid stranded 	1x (20 ... 14), 2x (18 ... 16) 1x (20 ... 16), 2x (20 ... 16)		
Product Function			
product function parameterizable	Sensor floating / sensor non-floating, monitored start / autostart, 1-channel / 2-channel sensor connection, cross-circuit detection, startup testing, antivalent sensors, 2-hand switches		
suitability for operation device connector 3ZY12	Yes		
suitability for interaction press control	Yes		
suitability for use			
<ul style="list-style-type: none"> safety switch monitoring of floating sensors monitoring of non-floating sensors magnetically operated switch monitoring safety-related circuits 	Yes Yes Yes Yes Yes		
Certificates/ approvals			
General Product Approval		EMC	Functional Safety/Safety of Machinery
			
			
			Type Examination Certificate
Declaration of Conformity	Test Certificates	Marine / Shipping	
	Type Test Certificates/Test Report		
EG-Konf.		LRS	
			
other	Railway		

Further information

Information- and Downloadcenter (Catalogs, Brochures,...)

<https://www.siemens.com/ic10>

Industry Mall (Online ordering system)

<https://mall.industry.siemens.com/mall/en/en/Catalog/product?mlfb=3SK1121-1AB40>

Cax online generator

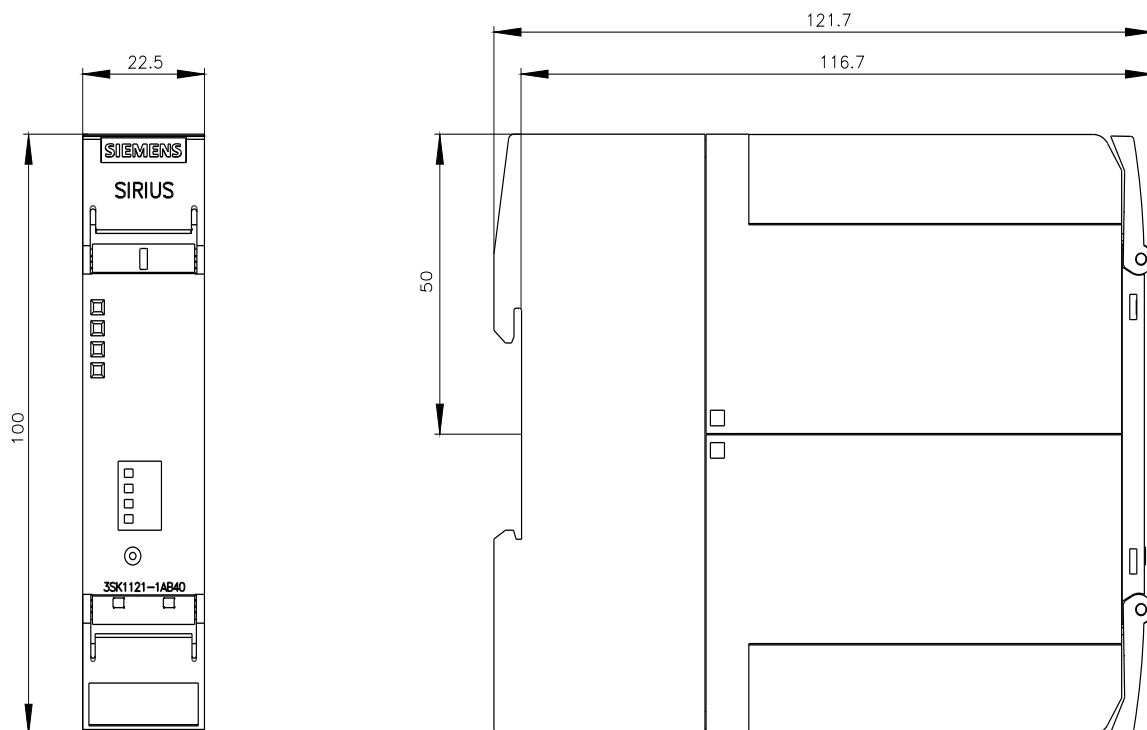
<http://support.automation.siemens.com/WW/CAXorder/default.aspx?lang=en&mlfb=3SK1121-1AB40>

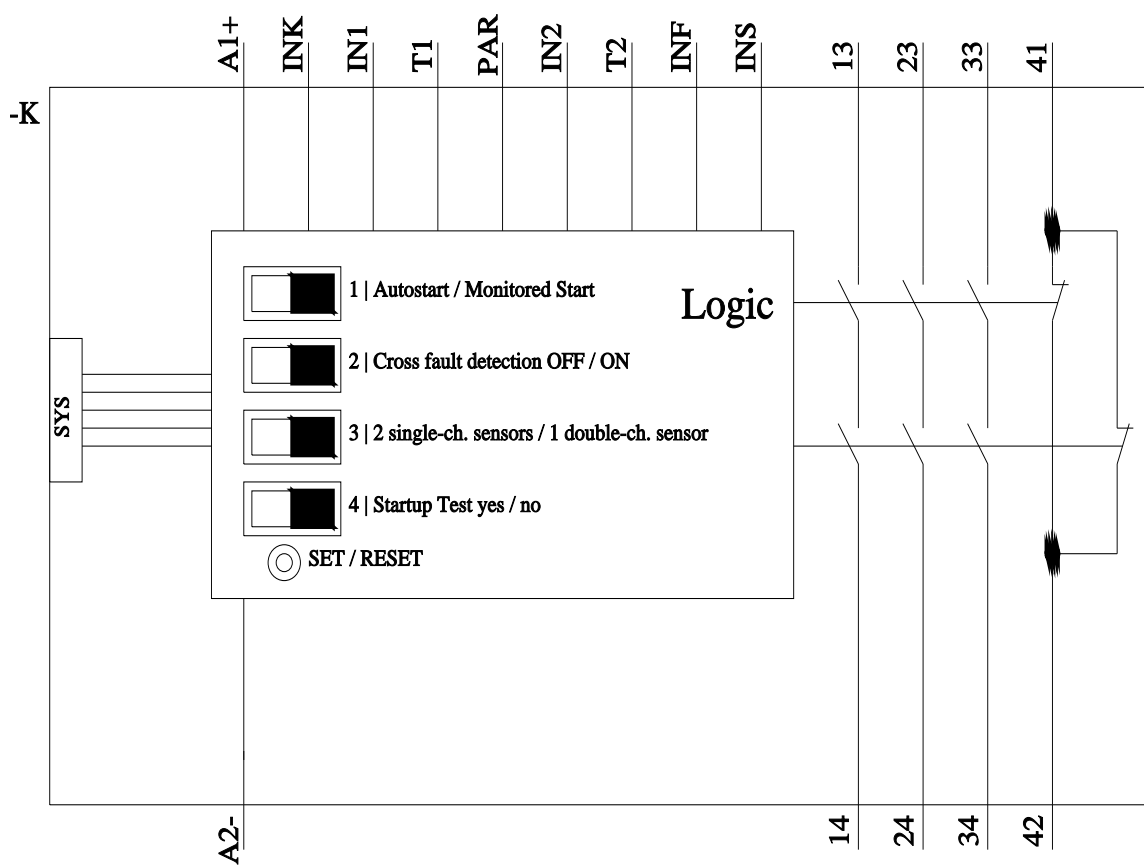
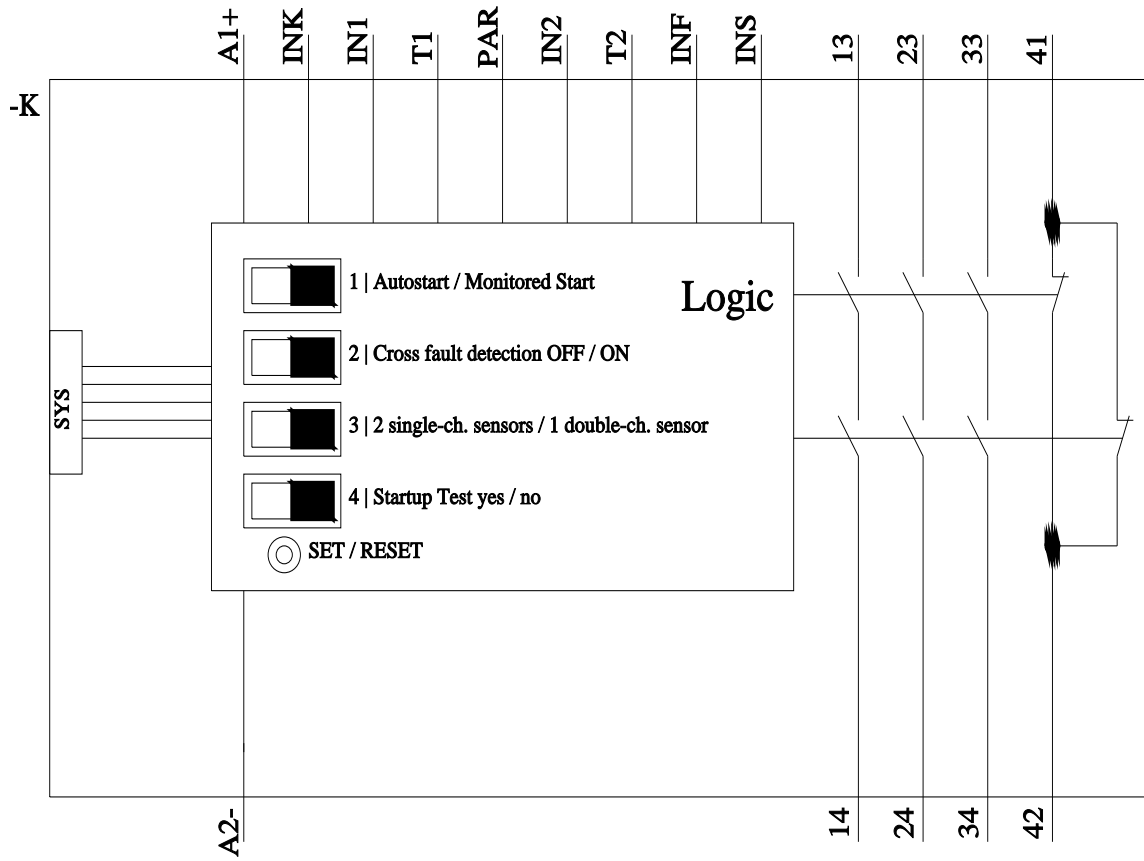
Service&Support (Manuals, Certificates, Characteristics, FAQs,...)

<https://support.industry.siemens.com/cs/ww/en/ps/3SK1121-1AB40>

Image database (product images, 2D dimension drawings, 3D models, device circuit diagrams, EPLAN macros, ...)

http://www.automation.siemens.com/bilddb/cax_de.aspx?mlfb=3SK1121-1AB40&lang=en





last modified:

12/23/2020