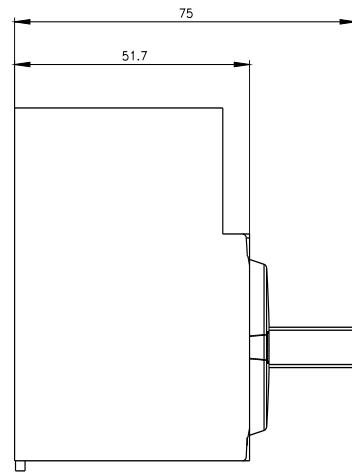
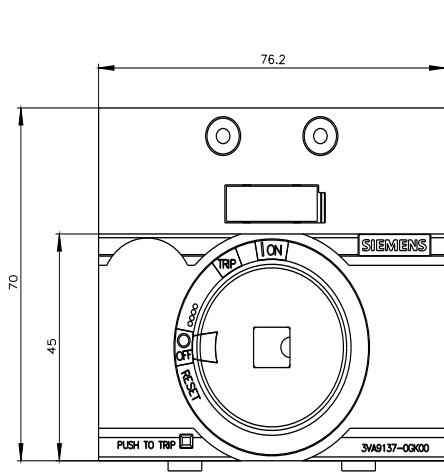


rotary operator with shaft stub for 8UC retrofit accessory for: 3VA5 125

Model	
product brand name	SETRON
product designation	Accessories
Product version	Rotary operating mechanisms with shaft stub
Accessories	Rotary operator with shaft stub
Mechanical Design	
Height	70 mm
Width	77 mm
net weight	186 g
Further information	
Information- and Downloadcenter (Catalogs, Brochures,...) http://www.siemens.com/lowvoltage/catalogs	
Industry Mall (Online ordering system) https://mall.industry.siemens.com/mall/en/en/Catalog/product?mlfb=3VA9137-0GK00	
Service&Support (Manuals, Certificates, Characteristics, FAQs,...) https://support.industry.siemens.com/cs/ww/en/ps/3VA9137-0GK00	
Image database (product images, 2D dimension drawings, 3D models, device circuit diagrams, ...) http://www.automation.siemens.com/bilddb/cax_en.aspx?mlfb=3VA9137-0GK00	
CAX-Online-Generator http://www.siemens.com/cax	
Tender specifications http://www.siemens.com/specifications	



last modified:

12/20/2020 

