



SIRIUS safety relay Basic unit Standard series Relay enabling circuits 3 NO contacts plus Relay signaling circuit 1 NC contact $U_s = 24\text{ V AC/DC}$ screw terminal

General technical data	
product brand name	SIRIUS
product category	Safety relays
product designation	safety relays
design of the product	Relay enabling circuits
protection class IP of the enclosure	IP20
touch protection against electrical shock	finger-safe
insulation voltage rated value	300 V
ambient temperature	
• during storage	-40 ... +80 °C
• during operation	-25 ... +60 °C
air pressure acc. to SN 31205	900 ... 1 060 hPa
relative humidity during operation	10 ... 95 %
installation altitude at height above sea level maximum	2 000 m
vibration resistance acc. to IEC 60068-2-6	5 ... 500 Hz: 0.75 mm
shock resistance	10g / 11 ms
surge voltage resistance rated value	4 000 V
EMC emitted interference	IEC 60947-5-1, IEC 61000
installation environment regarding EMC	This product is suitable for Class B environments and can also be used in domestic environments.
overvoltage category	3
degree of pollution	3
reference code acc. to IEC 81346-2	F
power loss [W] maximum	2 W
number of sensor inputs 1-channel or 2-channel	1
design of the cascading	none
type of the safety-related wiring of the inputs	single-channel and two-channel
product feature cross-circuit-proof	Yes
Safety Integrity Level (SIL)	
• acc. to IEC 61508	3
performance level (PL)	
• acc. to EN ISO 13849-1	e
category acc. to EN ISO 13849-1	4
Safe failure fraction (SFF)	99 %
PFHD with high demand rate acc. to EN 62061	0.0000000017 1/h
PFDavg with low demand rate acc. to IEC 61508	0.000001
T1 value for proof test interval or service life acc. to IEC 61508	20 y
hardware fault tolerance acc. to IEC 61508	1

safety device type acc. to IEC 61508-2	Type A
number of outputs as contact-affected switching element	
<ul style="list-style-type: none"> ● as NC contact <ul style="list-style-type: none"> — for signaling function instantaneous contact 	1
<ul style="list-style-type: none"> ● as NO contact <ul style="list-style-type: none"> — safety-related instantaneous contact — safety-related delayed switching 	3 0
stop category acc. to DIN EN 60204-1	0
General technical data	
design of input	
<ul style="list-style-type: none"> ● cascading input/functional switching ● feedback input ● start input 	No Yes Yes
type of electrical connection plug-in socket	No
operating frequency maximum	360 1/h
switching capacity current	
<ul style="list-style-type: none"> ● of the NO contacts of the relay outputs <ul style="list-style-type: none"> — at DC-13 <ul style="list-style-type: none"> — at 24 V — at 115 V — at 230 V — at AC-15 <ul style="list-style-type: none"> — at 115 V — at 230 V ● of the NC contacts of the relay outputs <ul style="list-style-type: none"> — at DC-13 <ul style="list-style-type: none"> — at 24 V — at 115 V — at 230 V — at AC-15 <ul style="list-style-type: none"> — at 115 V — at 230 V 	5 A 0.2 A 0.1 A 5 A 5 A 1 A 0.2 A 0.1 A 1.5 A 1.5 A
thermal current of the switching element with contacts maximum	5 A
operational current at 17 V minimum	5 mA
total current maximum	12 A
mechanical service life (switching cycles) typical	10 000 000
design of the fuse link for short-circuit protection of the NO contacts of the relay outputs required	gL/gG: 6A or circuit breaker type A: 3A or circuit breaker type B: 2A or circuit breaker type C: 1A
design of the fuse link for short circuit protection of the NC contacts of the relay outputs required	Diazed or Neozed fuses, operating class gL/gG: 6 A or MCB type A: 2 A or MCB type B: 2 A or MCB type C: 1 A
wire length	
<ul style="list-style-type: none"> ● for total of all sensor circuits with Cu 1.5 mm² and 150 nF/km maximum 	2 000 m
make time with automatic start	
<ul style="list-style-type: none"> ● typical ● at DC maximum ● at AC maximum 	200 ms 320 ms 320 ms
make time with automatic start after power failure	
<ul style="list-style-type: none"> ● typical ● maximum 	200 ms 320 ms
make time with monitored start	
<ul style="list-style-type: none"> ● maximum ● typical 	20 ms 15 ms
backslide delay time after opening of the safety circuits typical	10 ms
backslide delay time in the event of power failure	
<ul style="list-style-type: none"> ● typical ● maximum 	65 ms 75 ms
recovery time after opening of the safety circuits typical	10 ms

recovery time after power failure typical	0.09 s	
pulse duration		
• of the sensor input minimum	150 ms	
• of the ON pushbutton input minimum	0.015 s	
Control circuit/ Control		
type of voltage of the control supply voltage	AC/DC	
control supply voltage frequency		
• 1 rated value	50 Hz	
• 2 rated value	60 Hz	
control supply voltage		
• at DC	24 V	
— rated value		
• at AC	24 V	
— at 50 Hz		
— rated value		
— at 60 Hz		
— rated value	24 V	
operating range factor control supply voltage rated value of magnet coil		
• at AC	0.85 ... 1.1	
— at 50 Hz		
— at 60 Hz	0.85 ... 1.1	
• at DC	0.85 ... 1.2	
Installation/ mounting/ dimensions		
mounting position	any	
required spacing for grounded parts at the side	5 mm	
fastening method	screw and snap-on mounting	
width	22.5 mm	
height	100 mm	
depth	121.6 mm	
Connections/ Terminals		
type of electrical connection	screw-type terminals	
type of connectable conductor cross-sections		
• solid	1x (0.5 ... 2.5 mm ²), 2x (1.0 ... 1.5 mm ²)	
• finely stranded		
— with core end processing	1x (0.5 ... 2.5 mm ²), 2x (0.5 ... 1.0 mm ²)	
type of connectable conductor cross-sections at AWG cables		
• solid	1x (20 ... 14), 2x (18 ... 16)	
• stranded	1x (20 ... 16), 2x (20 ... 16)	
Product Function		
product function parameterizable	Sensor floating / sensor non-floating, monitored start / autostart	
suitability for operation device connector 3ZY12	No	
suitability for interaction press control	No	
suitability for use		
• safety switch	Yes	
• monitoring of floating sensors	Yes	
• monitoring of non-floating sensors	Yes	
• magnetically operated switch monitoring	Yes	
• safety-related circuits	Yes	
Certificates/ approvals		
General Product Approval	EMC	Functional Safety/Safety of Machinery



[Type Examination Certificate](#)

Declaration of Conformity	Test Certificates	Marine / Shipping			
---------------------------	-------------------	-------------------	--	--	--



[Type Test Certificates/Test Report](#)



other	Railway
-------	---------

[Confirmation](#)

[Confirmation](#)

Further information

Information- and Downloadcenter (Catalogs, Brochures,...)

<https://www.siemens.com/ic10>

Industry Mall (Online ordering system)

<https://mall.industry.siemens.com/mall/en/en/Catalog/product?mlfb=3SK1111-1AB30>

Cax online generator

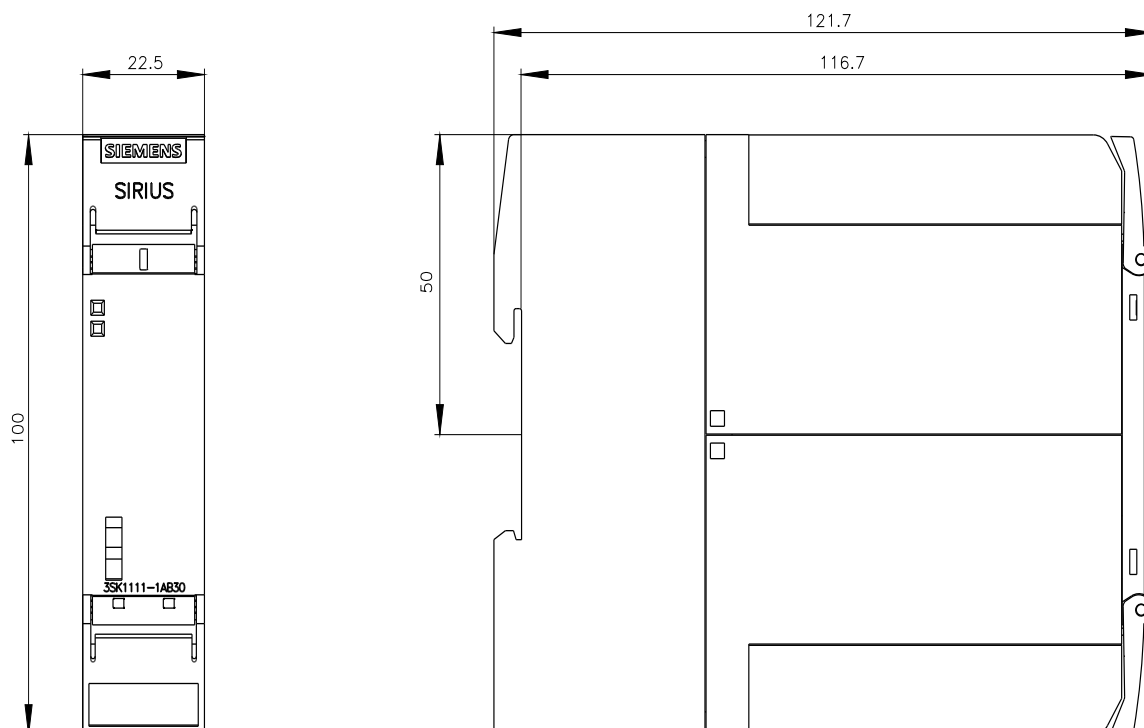
<http://support.automation.siemens.com/WW/CAXorder/default.aspx?lang=en&mlfb=3SK1111-1AB30>

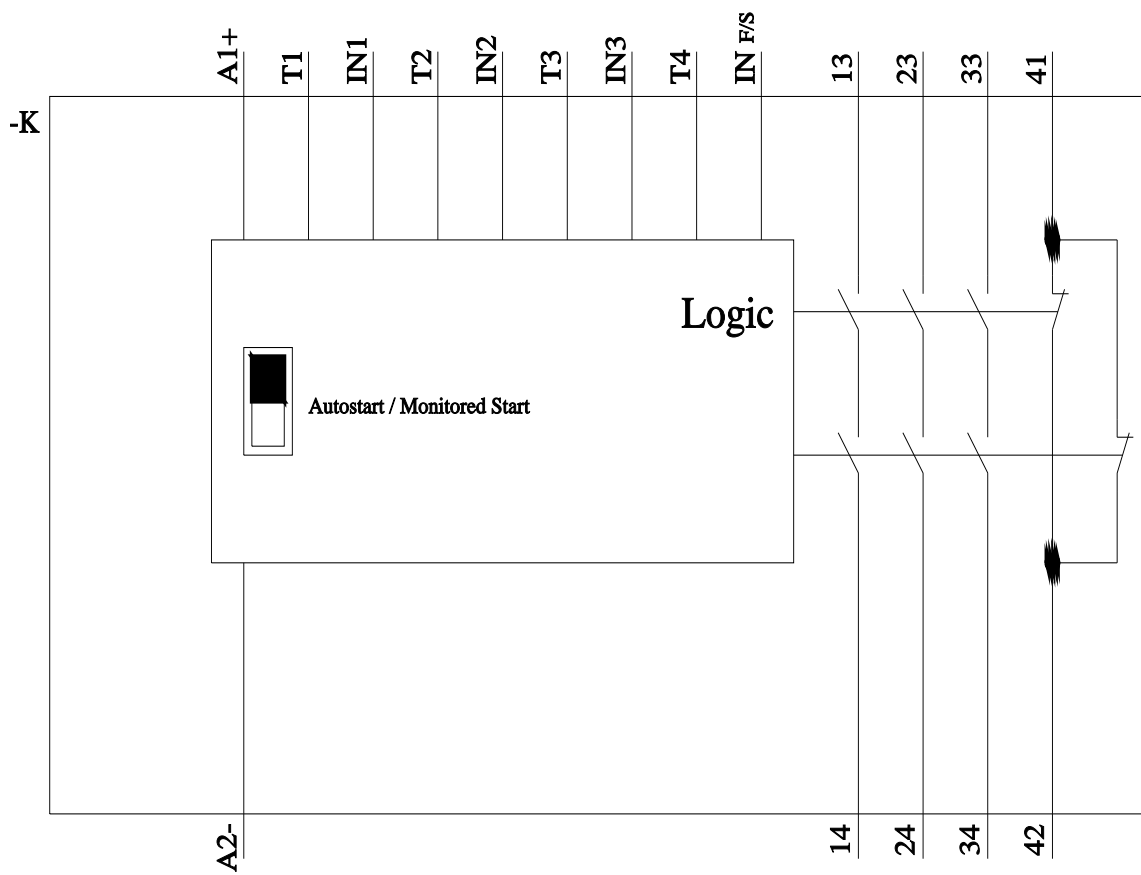
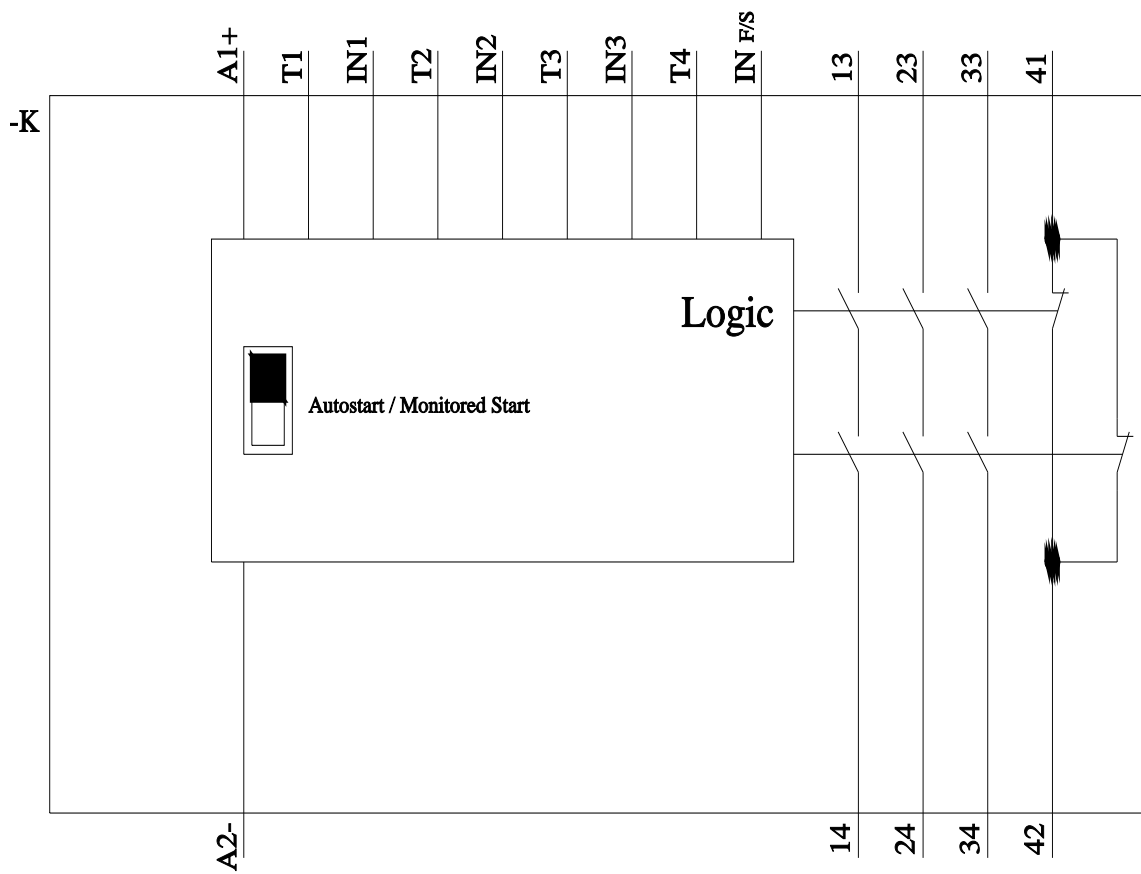
Service&Support (Manuals, Certificates, Characteristics, FAQs,...)

<https://support.industry.siemens.com/cs/ww/en/ps/3SK1111-1AB30>

Image database (product images, 2D dimension drawings, 3D models, device circuit diagrams, EPLAN macros, ...)

http://www.automation.siemens.com/bilddb/cax_de.aspx?mlfb=3SK1111-1AB30&lang=en





last modified:

12/23/2020 