



Operating Unit w/ Bowdencable Max-Flex Operator handle only Handle steel, epoxy coated NEMA 1, 12, 3R black=OFF, red=ON

Model	
product brand name	SENTRON
product designation	Accessories
Product version	Operating unit Max-Flex, handle single
Accessories	Operating unit

**Further information**

**Information- and Downloadcenter (Catalogs, Brochures,...)**

<http://www.siemens.com/lowvoltage/catalogs>

**Industry Mall (Online ordering system)**

<https://mall.industry.siemens.com/mall/en/en/Catalog/product?mlfb=3VA9977-0CH72>

**Service&Support (Manuals, Certificates, Characteristics, FAQs,...)**

<https://support.industry.siemens.com/cs/ww/en/ps/3VA9977-0CH72>

**Image database (product images, 2D dimension drawings, 3D models, device circuit diagrams, ...)**

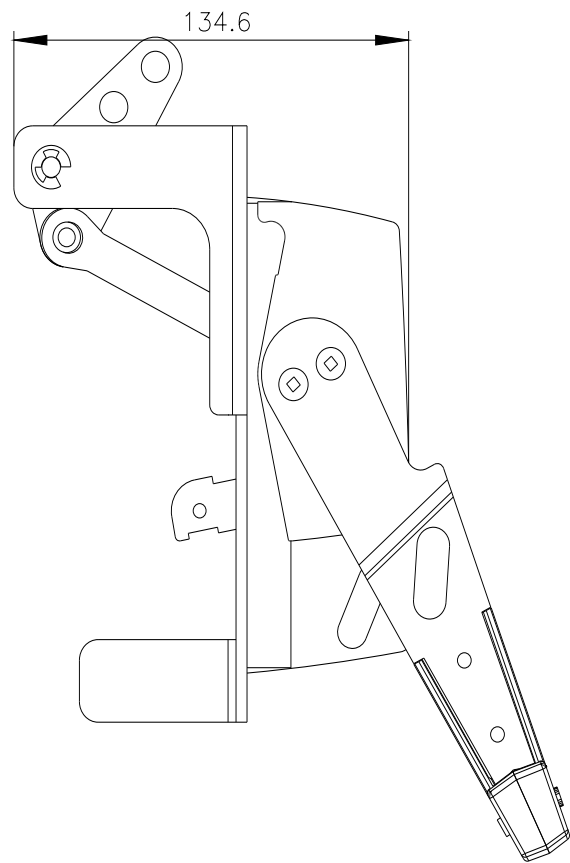
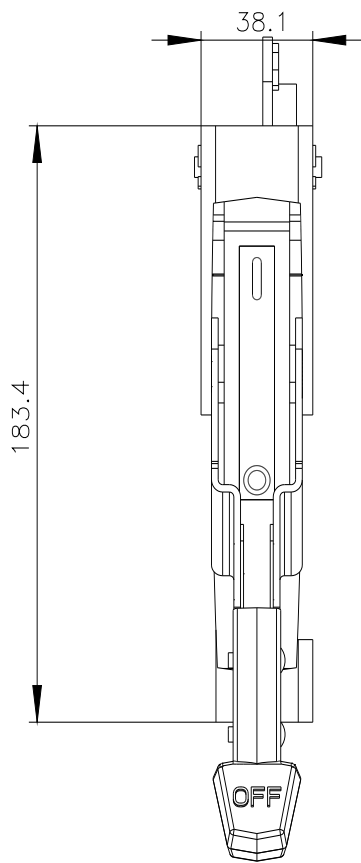
[http://www.automation.siemens.com/bilddb/cax\\_en.aspx?mlfb=3VA9977-0CH72](http://www.automation.siemens.com/bilddb/cax_en.aspx?mlfb=3VA9977-0CH72)

**CAX-Online-Generator**

<http://www.siemens.com/cax>

**Tender specifications**

<http://www.siemens.com/specifications>



last modified:

12/20/2020 

