



Potentiometer, compact, 22 mm, round, metal, black, 10k ohm, with holder, screw terminal

<b>product brand name</b>	SIRIUS ACT
<b>product designation</b>	Potentiometers
<b>design of the product</b>	Compact unit
<b>product type designation</b>	3SU1
<b>product line</b>	Metal, shiny, 22 mm
manufacturer's article number of the supplied holder	3SU1550-0AA10-0AA0
<b>Enclosure</b>	
<b>number of command points</b>	1
<b>Actuator</b>	
<b>design of the actuating element</b>	Rotary knob
<b>principle of operation of the actuating element</b>	Infinitely variable adjustment, angle of rotation 280°
color of the actuating element	black
<b>material of the actuating element</b>	plastic
<b>shape of the actuating element</b>	round
<b>outer diameter of the actuating element</b>	30 mm
<b>Maximum deflection angle [°]</b>	280°
<b>Front ring</b>	
<b>product component front ring</b>	No
<b>Holder</b>	
<b>material of the holder</b>	Metal
<b>General technical data</b>	
insulation voltage rated value	500 V
<b>degree of pollution</b>	3
<b>protection class IP</b>	IP66, IP67, IP69(IP69K)
• of the terminal	IP20, clamping screw tightened
<b>degree of protection NEMA rating</b>	1, 2, 3, 3R, 4, 4X, 12, 13
<b>shock resistance</b>	
• acc. to IEC 60068-2-27	Sinusoidal half-wave 50g / 11 ms
<b>vibration resistance</b>	
• acc. to IEC 60068-2-6	10 ... 500 Hz: 5g
mechanical service life (switching cycles) typical	25 000
<b>reference code acc. to IEC 81346-2</b>	S
<b>Connections/ Terminals</b>	
<b>type of electrical connection</b>	screw-type terminals
<b>type of connectable conductor cross-sections</b>	
• solid with core end processing	2x (0.5 ... 0.75 mm <sup>2</sup> )
• solid without core end processing	2x (1.0 ... 1.5 mm <sup>2</sup> )

<ul style="list-style-type: none"> <li>finely stranded with core end processing</li> </ul>	2x (0.5 ... 1.5 mm <sup>2</sup> )
<ul style="list-style-type: none"> <li>finely stranded without core end processing</li> </ul>	2x (1.0 ... 1.5 mm <sup>2</sup> )
<ul style="list-style-type: none"> <li>at AWG cables</li> </ul>	2x (18 ... 14)
<b>tightening torque of the screws in the bracket</b>	1 ... 1.2 N·m
<ul style="list-style-type: none"> <li>tightening torque with screw-type terminals</li> </ul>	0.8 ... 1 N·m

#### Ambient conditions

<ul style="list-style-type: none"> <li>ambient temperature during operation</li> </ul>	-25 ... +70 °C
<ul style="list-style-type: none"> <li>ambient temperature during storage</li> </ul>	-40 ... +80 °C
environmental category during operation acc. to IEC 60721	3M6, 3S2, 3B2, 3C3, 3K6 (with relative air humidity of 10 ... 95 %, no condensation in operation permitted for all devices behind front panel)

#### Installation/ mounting/ dimensions

height	40 mm
width	30 mm
shape of the installation opening	round
mounting diameter	22.3 mm
positive tolerance of installation diameter	0.4 mm
mounting height	19.4 mm
installation width	30 mm
installation depth	46 mm

#### Certificates/ approvals

General Product Approval	Declaration of Conformity	Test Certificates
  	<a href="#">Miscellaneous</a>	 EG-Konf. <a href="#">Type Test Certificates/Test Report</a>

#### other

[Confirmation](#)

#### Further information

**Information- and Downloadcenter (Catalogs, Brochures,...)**

<https://www.siemens.com/ic10>

**Industry Mall (Online ordering system)**

<https://mall.industry.siemens.com/mall/en/en/Catalog/product?mlfb=3SU1250-2PS10-1AA0>

**Cax online generator**

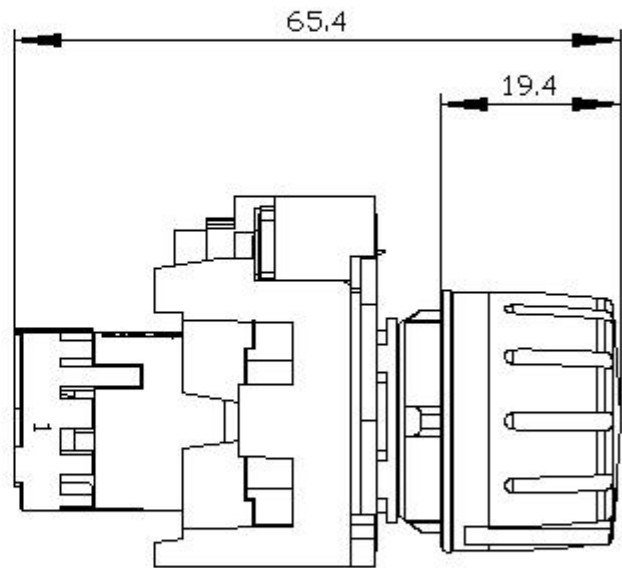
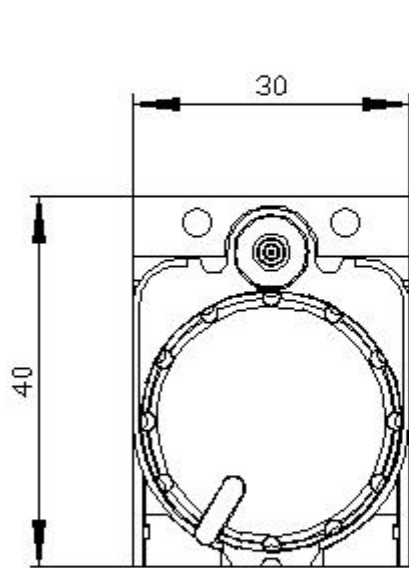
<http://support.automation.siemens.com/WW/CAXorder/default.aspx?lang=en&mlfb=3SU1250-2PS10-1AA0>

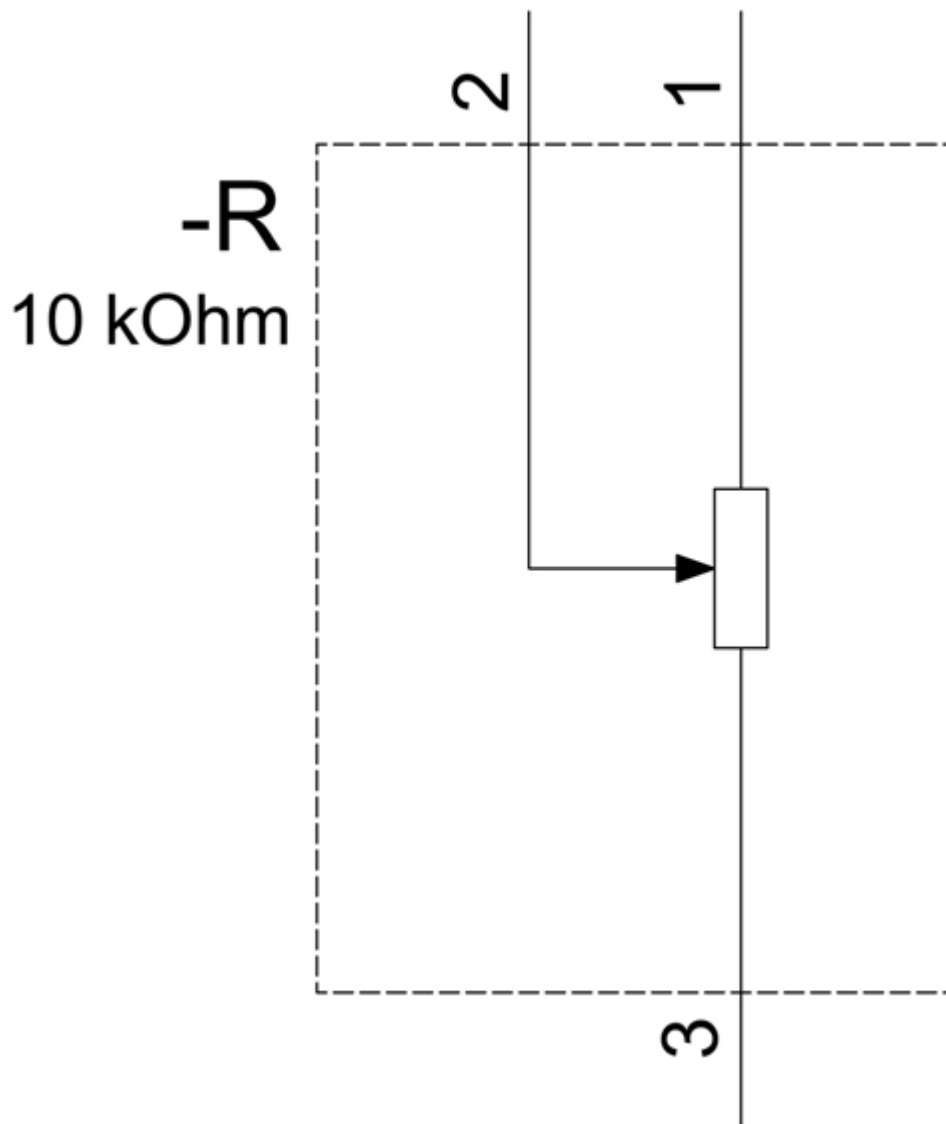
**Service&Support (Manuals, Certificates, Characteristics, FAQs,...)**

<https://support.industry.siemens.com/cs/ww/en/ps/3SU1250-2PS10-1AA0>

**Image database (product images, 2D dimension drawings, 3D models, device circuit diagrams, EPLAN macros, ...)**

[http://www.automation.siemens.com/bilddb/cax\\_de.aspx?mlfb=3SU1250-2PS10-1AA0&lang=en](http://www.automation.siemens.com/bilddb/cax_de.aspx?mlfb=3SU1250-2PS10-1AA0&lang=en)





last modified:

12/16/2020 