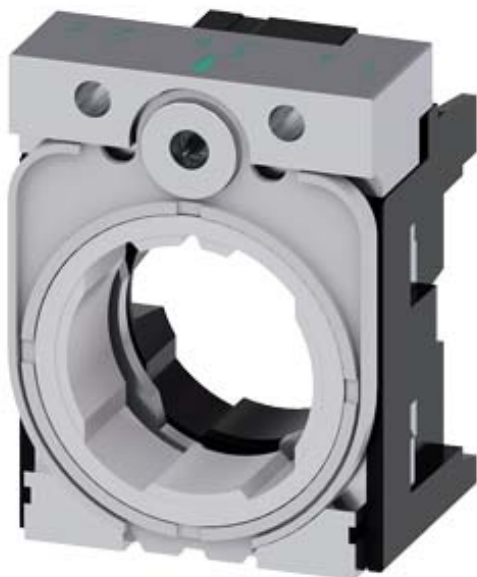


holder, 3-way, metal, minimum order quantity 5 or a multiple thereof



product brand name	SIRIUS ACT
product designation	Holders
product type designation	3SU1
manufacturer's article number	
<ul style="list-style-type: none"> <li>of the supplied holder</li> </ul>	<a href="#">3SU1550-0AA10-0AA0</a>
<b>Actuator</b>	
design of the operating mechanism	3-way without module
number of contact modules	0
<b>Holder</b>	
material of the holder	Metal
<b>Display</b>	
number of LED modules	0
<b>General technical data</b>	
product function	
<ul style="list-style-type: none"> <li>positive opening</li> </ul>	No
product component	
<ul style="list-style-type: none"> <li>diode</li> <li>lamp transformer</li> </ul>	No

<ul style="list-style-type: none"> <li>• light source</li> </ul>	No
<ul style="list-style-type: none"> <li>• series resistor</li> </ul>	No
<b>insulation voltage</b>	
<ul style="list-style-type: none"> <li>• rated value</li> </ul>	500 V
<b>degree of pollution</b>	3
<b>surge voltage resistance rated value</b>	6 kV
<b>shock resistance</b>	
<ul style="list-style-type: none"> <li>• acc. to IEC 60068-2-27</li> <li>• for railway applications acc. to DIN EN 61373</li> </ul>	Sinusoidal half-wave 50g / 11 ms Category 1, Class B
<b>vibration resistance</b>	
<ul style="list-style-type: none"> <li>• acc. to IEC 60068-2-6</li> <li>• for railway applications acc. to DIN EN 61373</li> </ul>	10 ... 500 Hz: 5g Category 1, Class B
<b>mechanical service life (switching cycles)</b>	
<ul style="list-style-type: none"> <li>• typical</li> </ul>	10
<b>reference code acc. to DIN EN 81346-2</b>	U

#### Auxiliary circuit

<b>number of NC contacts for auxiliary contacts</b>	0
<b>number of NO contacts for auxiliary contacts</b>	0

#### Connections/ Terminals

<b>tightening torque of the screws in the bracket</b>	1 ... 1.2 N·m
<b>tightening torque</b>	
<ul style="list-style-type: none"> <li>• for grounding</li> </ul>	0.8 ... 1 N·m

#### Ambient conditions

environmental category during operation acc. to IEC 60721	3M6, 3S2, 3B2, 3C3, 3K6 (with relative air humidity of 10 ... 95 %, no condensation in operation permitted)
-----------------------------------------------------------	-------------------------------------------------------------------------------------------------------------

#### Installation/ mounting/ dimensions

<b>mounting type</b>	without
<ul style="list-style-type: none"> <li>• of modules and accessories</li> </ul>	Front plate mounting
<b>height</b>	40 mm
<b>width</b>	30 mm
<b>shape of the installation opening</b>	round
<b>installation width</b>	30 mm
<b>installation depth</b>	30.1 mm

#### Certificates/ approvals

General Product Approval			Declaration of Conformity	Test Certificates
 CSA	 UL		 EG-Konf.	<a href="#">Miscellaneous</a> <a href="#">Type Test Certificates/Test Report</a>

Marine / Shipping					other
 ABS	 LRS	 PRS	 RINA	 RMRS	<a href="#">Confirmation</a>

### Further information

**Information- and Downloadcenter (Catalogs, Brochures,...)**

<https://www.siemens.com/ic10>

**Industry Mall (Online ordering system)**

<https://mall.industry.siemens.com/mall/en/en/Catalog/product?mlfb=3SU1550-0AA10-0AA0>

**Cax online generator**

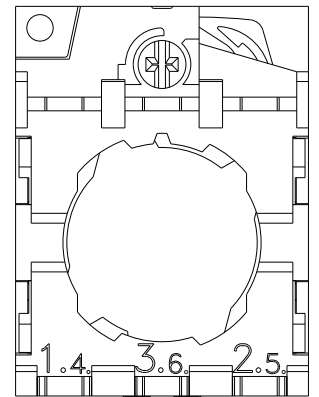
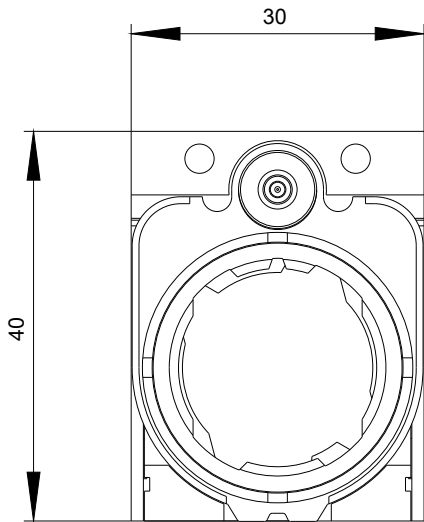
<http://support.automation.siemens.com/WW/CAXorder/default.aspx?lang=en&mlfb=3SU1550-0AA10-0AA0>

**Service&Support (Manuals, Certificates, Characteristics, FAQs,...)**

<https://support.industry.siemens.com/cs/ww/en/ps/3SU1550-0AA10-0AA0>

**Image database (product images, 2D dimension drawings, 3D models, device circuit diagrams, EPLAN macros, ...)**

[http://www.automation.siemens.com/bilddb/cax\\_de.aspx?mlfb=3SU1550-0AA10-0AA0&lang=en](http://www.automation.siemens.com/bilddb/cax_de.aspx?mlfb=3SU1550-0AA10-0AA0&lang=en)



last modified:

09/25/2020