

Automation Technology > Industrial Controls > Switching Devices > Contactors and Contactor Assemblies > Accessories and Spare Parts > For Contactors and Contactor Relays 3RT1, 3RH1

**3RH1911-1GA04** AUXILIARY SWITCH BLOCK,

Technical / CAx data

Technical Data  CAx data

As of 2011-01-17

AUXILIARY SWITCH BLOCK, 44E, 4NC, DIN EN50011, SCREW CONNECTION, FOR CONTACTOR RELAYS, 4-POLE



**Further information:**

**Information- and Downloadcenter (Catalogs, Brochures,...)**

<http://www.siemens.com/lowvoltage/catalogs>

**Global Industry Mall (Online ordering system)**

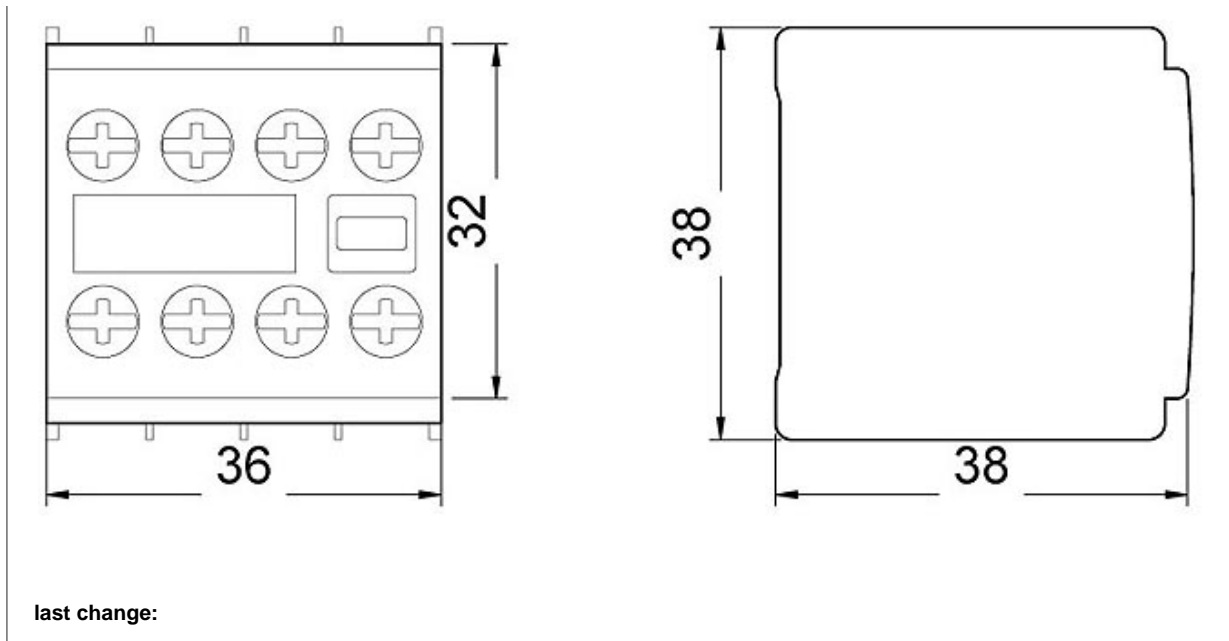
<http://www.siemens.com/lowvoltage/mall>

**Service&Support (Manuals, Certificates, Characteristics, FAQs,...)**

<http://support.automation.siemens.com/WW/view/en/3RH1911-1GA04/all>

**Image database (product images, 2D dimension drawings, 3D models, device circuit diagrams, ...)**

[http://www.automation.siemens.com/bilddb/cax\\_en.aspx?mlfb=3RH1911-1GA04](http://www.automation.siemens.com/bilddb/cax_en.aspx?mlfb=3RH1911-1GA04)



© Siemens AG 2011 - Corporate Information - Privacy Policy - Terms of Use