

Automation Technology > Industrial Controls > Switching Devices > Contactors and Contactor Assemblies > Accessories and Spare Parts > For Contactors and Contactor Relays 3RT1, 3RH1

### 3RH1911-1GA40 AUXILIARY SWITCH BLOCK,

Technical / CAx data

Technical Data  CAx data

As of 2011-01-22



AUXILIARY SWITCH BLOCK, 80E, 4NO, DIN EN50011, SCREW CONNECTION, FOR CONTACTOR RELAYS, 4-POLE

#### Further information:

---

**Information- and Downloadcenter (Catalogs, Brochures,...)**

<http://www.siemens.com/lowvoltage/catalogs>

---

**Global Industry Mall (Online ordering system)**

<http://www.siemens.com/lowvoltage/mall>

---

**Service&Support (Manuals, Certificates, Characteristics, FAQs,...)**

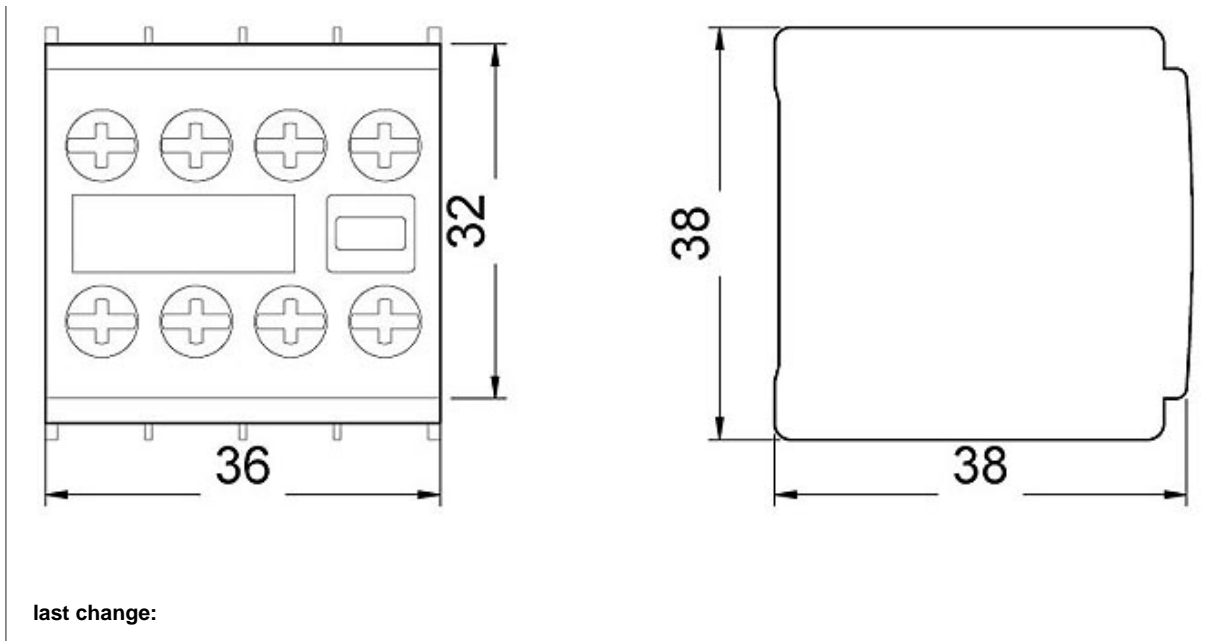
<http://support.automation.siemens.com/WW/view/en/3RH1911-1GA40/all>

---

**Image database (product images, 2D dimension drawings, 3D models, device circuit diagrams, ...)**

[http://www.automation.siemens.com/bilddb/cax\\_en.aspx?mlfb=3RH1911-1GA40](http://www.automation.siemens.com/bilddb/cax_en.aspx?mlfb=3RH1911-1GA40)

---



© Siemens AG 2011 - Corporate Information - Privacy Policy - Terms of Use