

Automation Technology > Industrial Controls > Commanding and Signaling Devices > Pushbutton Units and Indicator Lights SIRIUS 3SB2, 3SB3, 3SF5

3SB3244-6BA20 COMPACT UNIT ROUND

Technical / CAx data

Technical Data CAx data



Actuator:

Design of the operating mechanism	indicator light,
--	------------------

Button:

Design of the button	flat
Color / of the button	red

Front ring:

Product component / front ring	No
Material / of the front ring	plastic

Enclosure:

Shape / of the housing front material / of the housing	round plastic
---	---------------

General technical details:

Design of the product	integrated LED, 24 V AC/DC	
Number of control points	0	
Type of voltage		
• of the operating voltage	AC/DC	
• of the supply voltage		
• of the fluorescent material	AC/DC	
Operating voltage / rated value		
• minimum	V	19
• maximum	V	30
Supply voltage / 1		
• of the fluorescent material	V	24

- at 60 Hz / for AC / rated value
- at 50 Hz / for AC / rated value
- for DC / rated value

Design of the electrical connection		screw-type terminals
Number of switching positions		0
Product component / fluorescent materials		Yes
Product extension / optional / fluorescent materials		Yes
Resistance against shock		<= 50g
<ul style="list-style-type: none"> • for devices without incandescent lamp / according to IEC 60068-2-27 		
Resistance against vibration / according to IEC 60068-2-6		20 ... 200 Hz: 5g
Operating cycles / maximum	1/h	1,000
Item designation		
<ul style="list-style-type: none"> • according to DIN EN 61346-2 • according to DIN 40719 extendable after IEC 204-2 / according to IEC 750 		P H

Auxiliary circuit:

Number of NC contacts / for auxiliary contacts	0
Number of NO contacts / for auxiliary contacts	0
Number of change-over switches / for auxiliary contacts	0

Installation/mounting/dimensions:

Design of the cap		flat
Color / of the lens		red
Execution of the mounting		integrated LED
Type of mounting		front mounting
Shape / of the installation hole		round
Installation width	mm	30
Mounting diameter	mm	22
Width	mm	30
Height	mm	36
Depth	mm	60.5
Tightening torque / of the screws in the holder / maximum	N-m	1

Ambient conditions:

Ambient temperature		
<ul style="list-style-type: none"> • during the operating phase • during storage 	°C	-25...70 -40...80
Protection class IP		IP66
Climatic class / according to DIN EN ISO 6270-2		KTW24

Certificates/approvals:**General Product Approval****Shipping Approval**

ABS

**Test Certificates**

Manufacturer



other

PRS

Manufacturer

Further information:**Information- and Downloadcenter (Catalogs, Brochures,...)**<http://www.siemens.com/industrial-controls/catalogs>**Industry Mail (Online ordering system)**<http://www.siemens.com/industrial-controls/mall>**CAX-Online-Generator**

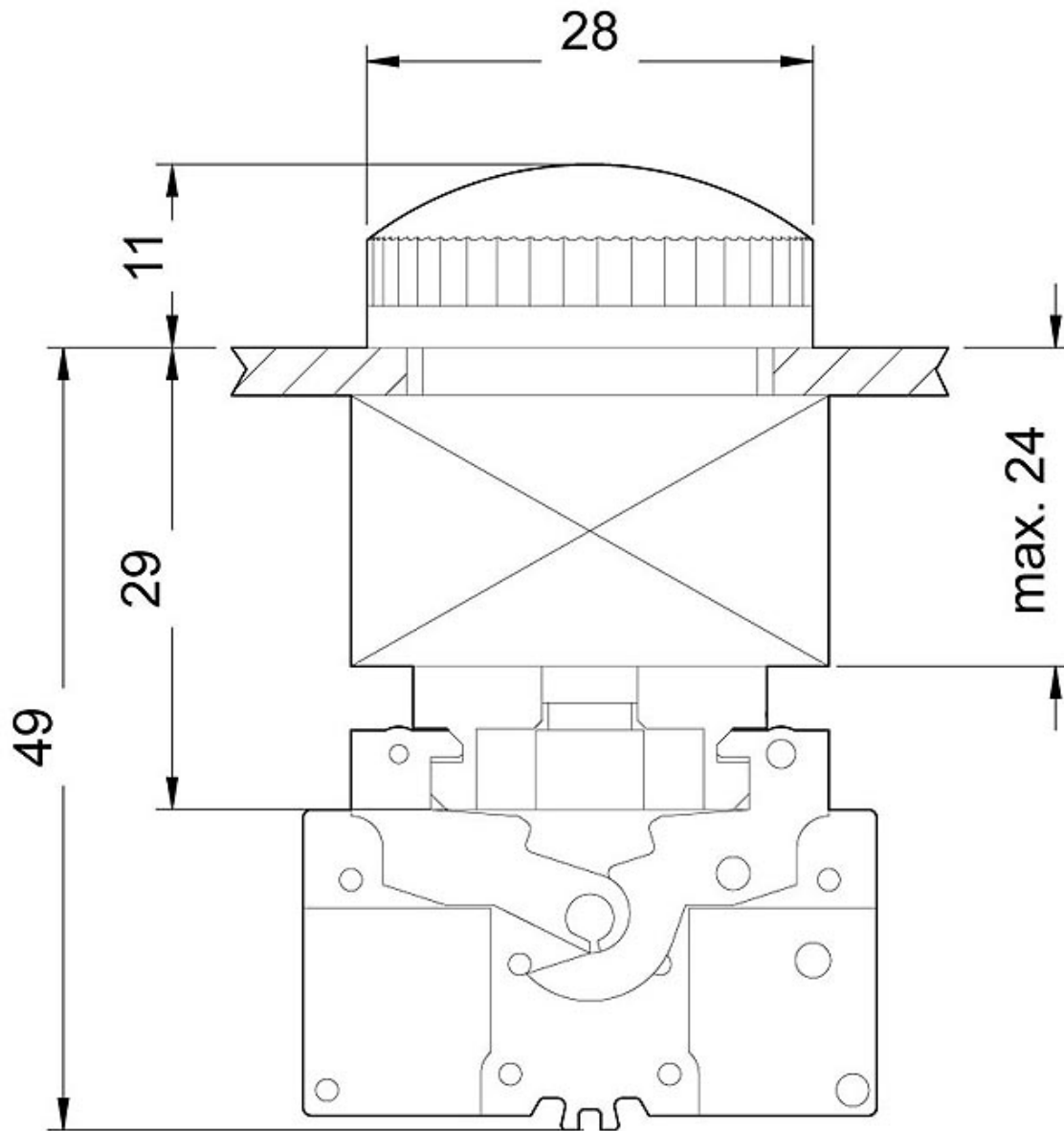
<http://www.siemens.com/cax>

Service&Support (Manuals, Certificates, Characteristics, FAQs,...)

<http://support.automation.siemens.com/WW/view/en/3SB3244-6BA20/all>

Image database (product images, 2D dimension drawings, 3D models, device circuit diagrams, ...)

http://www.automation.siemens.com/bilddb/cax_en.aspx?mlfb=3SB3244-6BA20



last change:

Jan 24, 2011