



- at 60 Hz / for AC / rated value
- at 50 Hz / for AC / rated value
- for DC / rated value

<b>Design of the electrical connection</b>		screw-type terminals
<b>Number of switching positions</b>		0
<b>Product component / fluorescent materials</b>		Yes
<b>Product extension / optional / fluorescent materials</b>		Yes
<b>Resistance against shock</b>		<= 50g
<ul style="list-style-type: none"> <li>• for devices without incandescent lamp / according to IEC 60068-2-27</li> </ul>		
<b>Resistance against vibration / according to IEC 60068-2-6</b>		20 ... 200 Hz: 5g
<b>Operating cycles / maximum</b>	1/h	1,000
<b>Item designation</b>		
<ul style="list-style-type: none"> <li>• according to DIN EN 61346-2</li> <li>• according to DIN 40719 extendable after IEC 204-2 / according to IEC 750</li> </ul>		P H

**Auxiliary circuit:**

<b>Number of NC contacts / for auxiliary contacts</b>	0
<b>Number of NO contacts / for auxiliary contacts</b>	0
<b>Number of change-over switches / for auxiliary contacts</b>	0

**Installation/mounting/dimensions:**

<b>Design of the cap</b>		flat
<b>Color / of the lens</b>		green
<b>Execution of the mounting</b>		integrated LED
<b>Type of mounting</b>		front mounting
<b>Shape / of the installation hole</b>		round
<b>Installation width</b>	mm	30
<b>Mounting diameter</b>	mm	22
<b>Width</b>	mm	30
<b>Height</b>	mm	36
<b>Depth</b>	mm	60.5
<b>Tightening torque / of the screws in the holder / maximum</b>	N-m	1

**Ambient conditions:**

<b>Ambient temperature</b>		
<ul style="list-style-type: none"> <li>• during the operating phase</li> <li>• during storage</li> </ul>	°C	-25...70 -40...80
<b>Protection class IP</b>		IP66
<b>Climatic class / according to DIN EN ISO 6270-2</b>		KTW24

**Certificates/approvals:****General Product Approval****Shipping Approval**

ABS

**Test Certificates**

Manufacturer



other

PRS

Manufacturer

**Further information:****Information- and Downloadcenter (Catalogs, Brochures,...)**<http://www.siemens.com/industrial-controls/catalogs>**Industry Mail (Online ordering system)**<http://www.siemens.com/industrial-controls/mall>**CAX-Online-Generator**

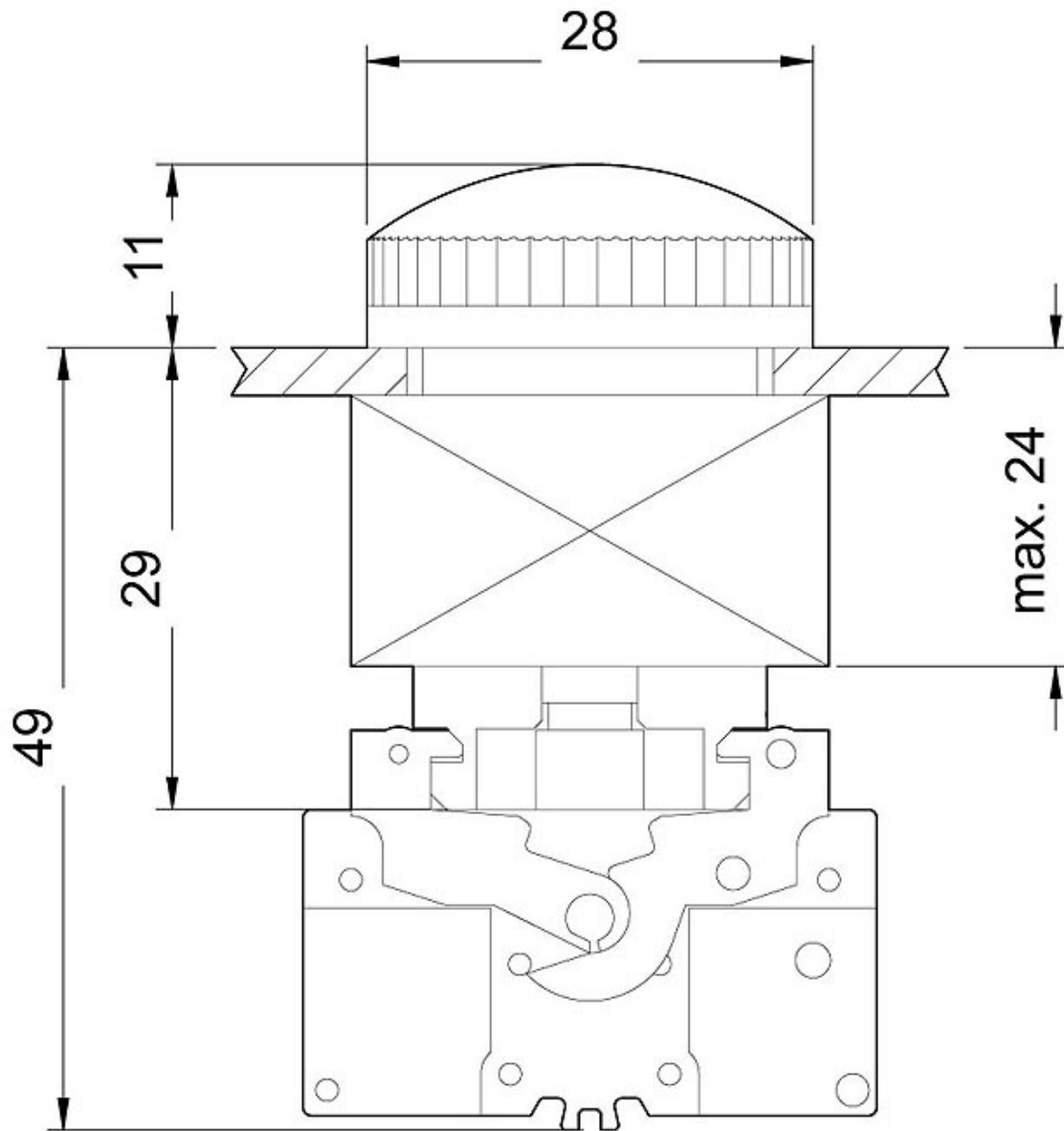
<http://www.siemens.com/cax>

**Service&Support (Manuals, Certificates, Characteristics, FAQs,...)**

<http://support.automation.siemens.com/WW/view/en/3SB3244-6BA40/all>

**Image database (product images, 2D dimension drawings, 3D models, device circuit diagrams, ...)**

[http://www.automation.siemens.com/bilddb/cax\\_en.aspx?mlfb=3SB3244-6BA40](http://www.automation.siemens.com/bilddb/cax_en.aspx?mlfb=3SB3244-6BA40)



**last change:**

Jan 24, 2011