

TS Plinth:

8601000 8601040

8601050 8601060

8601080 8601200

8601400 8601600

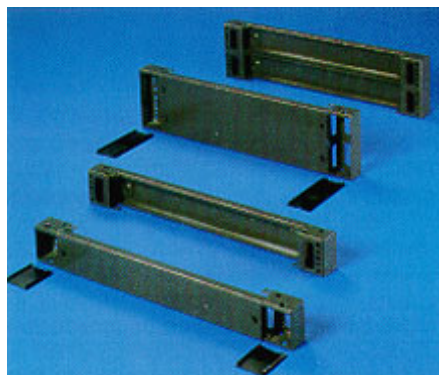
8601800 8602000

8602040 8602050

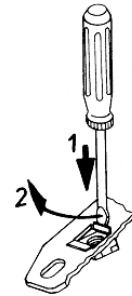
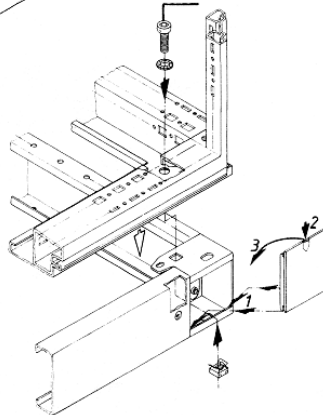
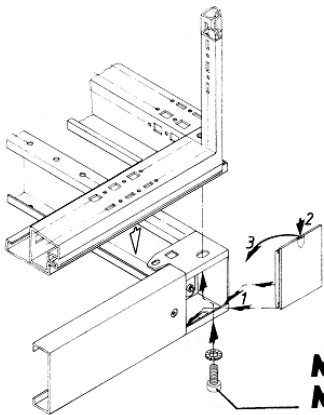
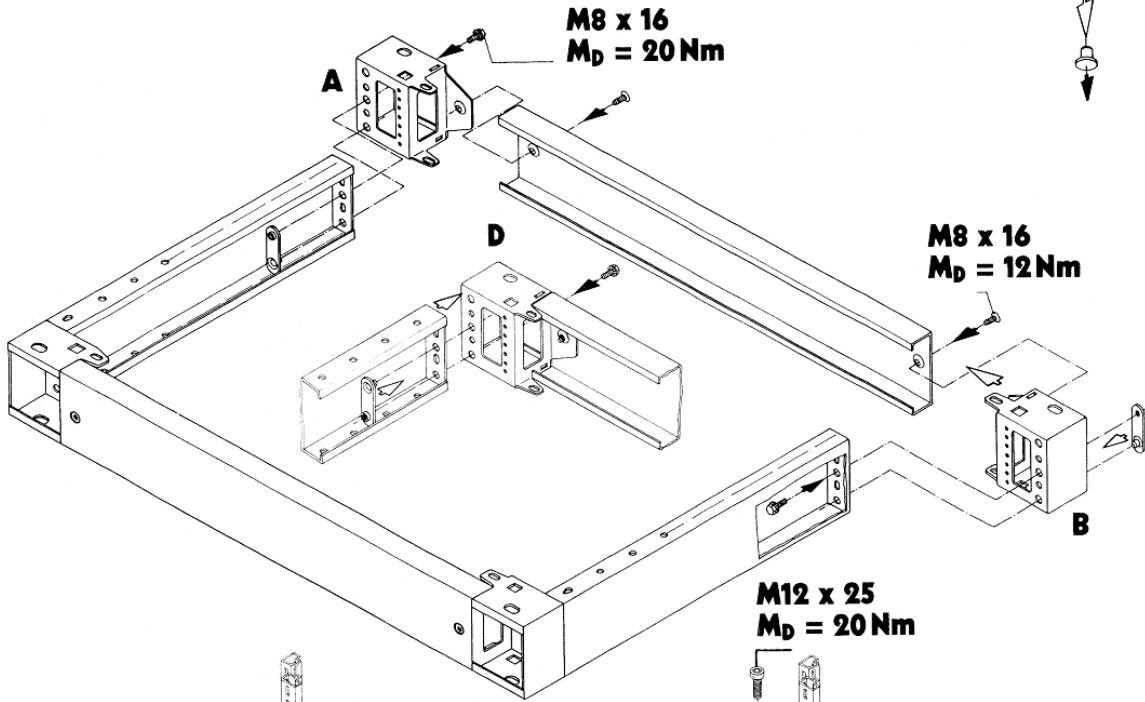
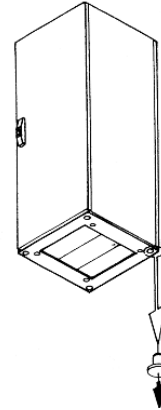
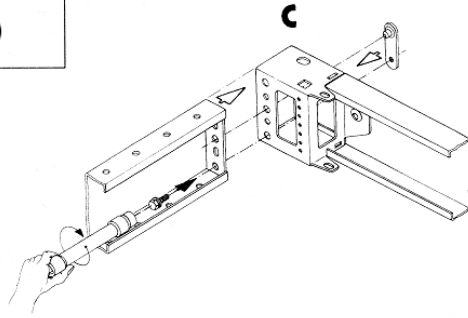
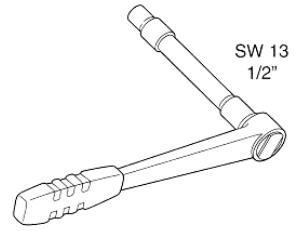
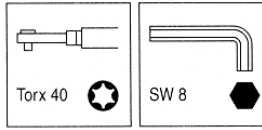
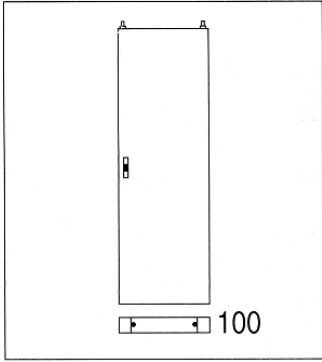
8602060 8602080

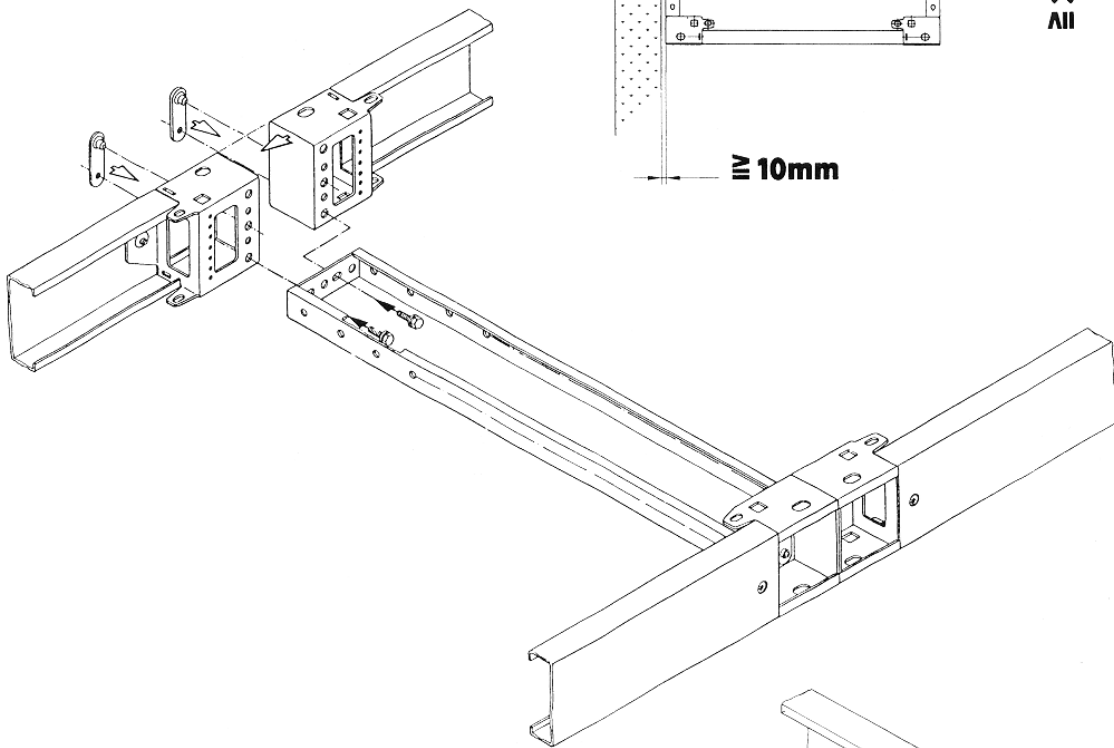
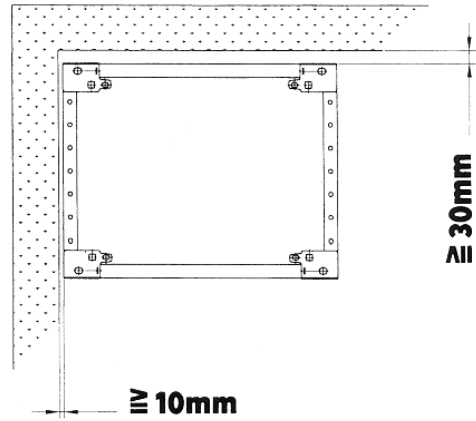
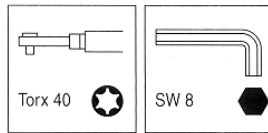
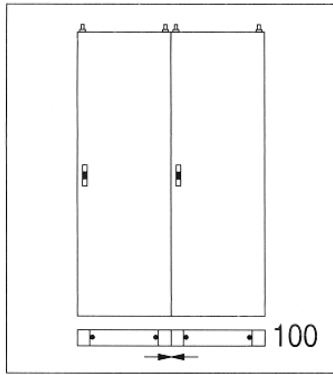
8602200 8602400

8602600 8602800



Assembly Instructions





PS 4169-4178

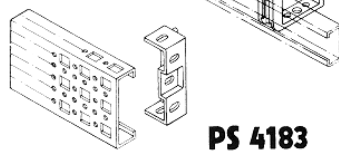
PS 4191-4193
PS 4196, 4336

PS 4182

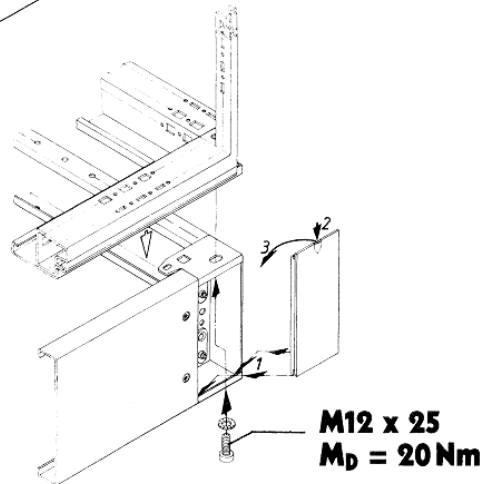
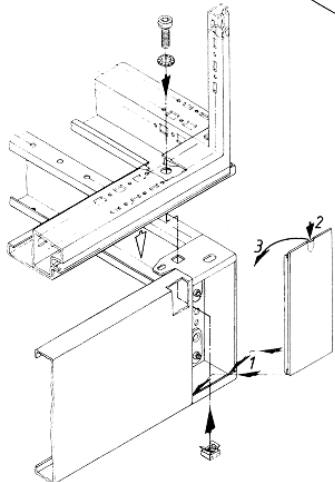
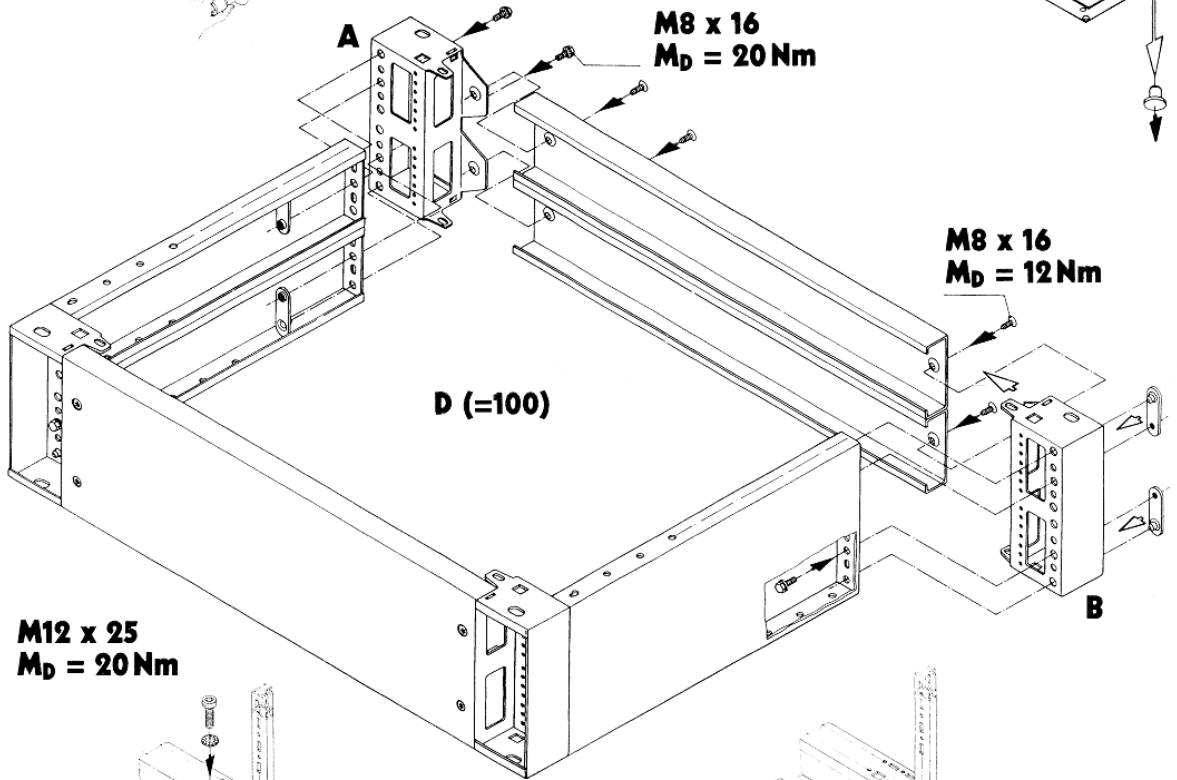
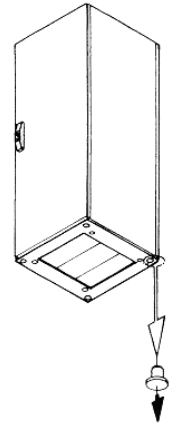
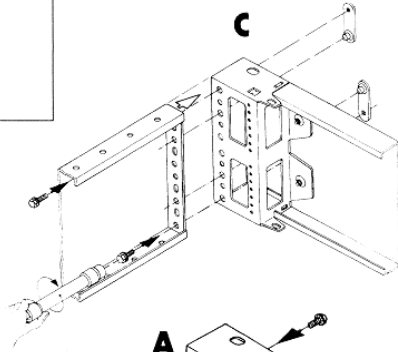
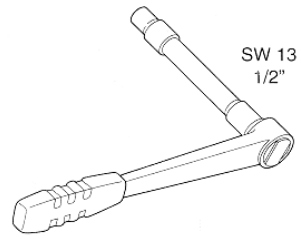
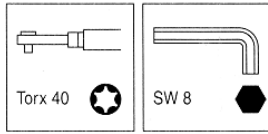
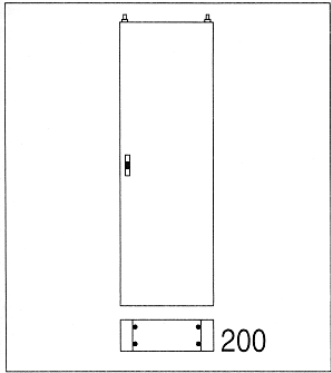
PS 4374-4382

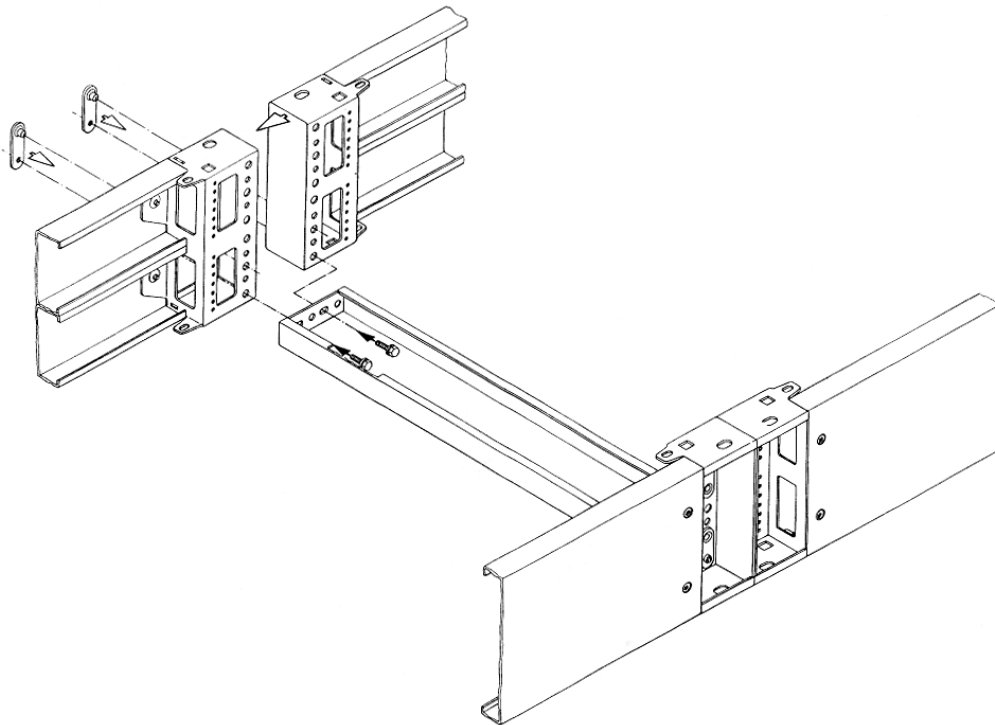
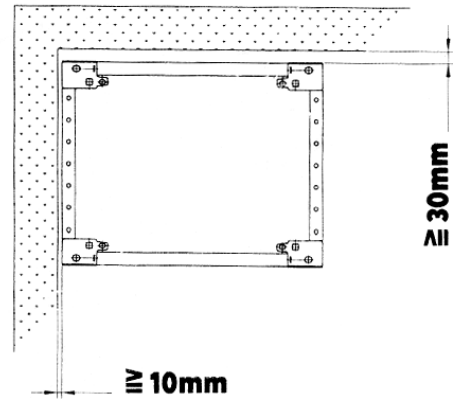
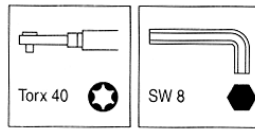
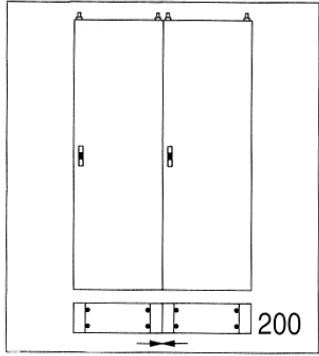
PS 4199

PS 4133



PS 4183





Rittal Corporation - One Rittal Place - Springfield - Ohio - 45504
 Toll Free : 1-800-637-4425 - Email : rittal@rittal-corp.com - Internet : www.rittal-corp.com - Tech. Sup. : 1-800-637-4425



Switch to perfection **RITTAL**