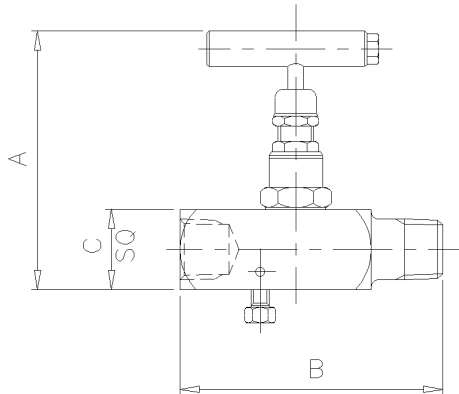




Product Data Sheet

GB Type Needle Valve



The 'GB' Type Gauge Bleed Needle Valve is designed for the safe and reliable isolation, giving bubble tight shut off, with non-rotating & anti-galling tip and dynamic self-adjusting spindle seal to give long service life in a variety of applications. The additional ability to bleed the gauge cavity to atmosphere, for simple calibration, is included.

Part No.	Connections Size	A	B	C	Weight (Kgs)
GB1F	1/2"	3.6	2.9	1.1	0.5
GB1M	1/2"	3.6	3.9	1.1	0.5

Key Features of the Oliver Needle Valve range

- Non rotating tip - self centering & anti-galling
- Piston ring - gives dynamic adjustment of gland seal in response to pressure change
- Anti-blow out spindle - a major safety feature
- Secure seal - precision machined to give leak free operation for the life of the valve. Available in either PTFE or Grafoil

Standard Specification

Pressure: 6000psi	Packing: PTFE	Handle: T-Bar	Bore: 0.21" (5.4mm)
Temp: 240 deg C	Thread form: NPT	Seat: Metal to metal	CV: 0.46
1/2" Inlet / Outlet Connections		1/4" UNF Bleed Screw	

Ordering Code

(Typical example) →	GB1F	S	/	BT	/	AT
Type						
GB1F - Female x Female GB1M - Male x Female						
Material						
S - 316S31 Stainless Steel M - Monel (400) HC - Hastalloy (C276) (Others available)						
Optional Connections (NPT Standard)						
BT - BSP Taper BP - BSP Parallel (top sealing) SW - Socket Weld BW-SCH*** - Butt weld (Schedule ***)						
Options						

AG - Grafoil
 AT - Anti-Tamper
 HL - Handle Locking
 HL-PI - Handle Locking + Position Indicator
 HP - 10000 psi
 HW - Hand Wheel

LT100 - Cryogenic Head Unit (-100°C)
 LT200 - Cryogenic Head Unit (-200°C)
 MT - Metering Tip
 NA - NACE MR-01-75 (latest revision)
 OXY - Oxygen Cleaned
 PK - PEEK Soft Tip (not available oxygen cleaned)