

# MINI MCR-SL-1CP-I-I

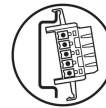
Order No.: 2864419

The illustration shows the 2-channel version with screw connection




<http://eshop.phoenixcontact.de/phoenix/treeViewClick.do?UID=2864419>

MCR loop-powered isolator, 1-channel, for the electrical isolation of current signals without auxiliary power, with screw connection



## Commercial data

GTIN (EAN)	 4 017918 974848
sales group	H521
Pack	1 pcs.
Customs tariff	85437090
Catalog page information	Page 338 (IF-2009)

## Product notes

WEEE/RoHS-compliant since:  
12/12/2006



<http://www.download.phoenixcontact.com>  
Please note that the data given here has been taken from the online catalog. For comprehensive information and data, please refer to the user documentation. The General Terms and Conditions of Use apply to Internet downloads.

## Product description

The 6.2 mm narrow passive loop-powered isolator MINI MCR-SL-...CP-I-I... is used for the electrical isolation and filtering of 0...20 mA and 4...20 mA standard current signals without additional supply voltage.

## Technical data

### Input data

Description of the input	Current input
Configurable/programmable	No
Current input signal	0 mA ... 20 mA 4 mA ... 20 mA
Max. input voltage	18 V
Max. input current	40 mA
Response current	Approx. 190 $\mu$ A
Input voltage limitation	18 V
Voltage dissipation	1.7 V (at I = 20 mA)

### Output data

Output name	Current output
Configurable/programmable	No
Current output signal	0 mA ... 20 mA 4 mA ... 20 mA
Load/output load current output	< 600 $\Omega$ (at I = 20 mA output signal)

### Power supply

Supply voltage range	(no separate supply voltage necessary)
----------------------	----------------------------------------

### Connection data

Type of connection	Screw connection
Conductor cross section solid min.	0.14 mm <sup>2</sup>
Conductor cross section solid max.	2.5 mm <sup>2</sup>
Conductor cross section stranded min.	0.2 mm <sup>2</sup>
Conductor cross section stranded max.	2.5 mm <sup>2</sup>
Conductor cross section AWG/kcmil min.	26
Conductor cross section AWG/kcmil max	12
Stripping length	12 mm
Screw thread	M3

### General data

No. of channels	1
Width	6.2 mm
Height	93.1 mm

Depth	102.5 mm
Maximum transmission error	≤ 0.1 % (of final value)
Maximum temperature coefficient	≤ 0.002 %/K (of measured value / 100 Ω load)
Additional error, load-dependent	0.03 % (of measured value / 100 Ω load)
Limit frequency (3 dB)	75 Hz
Step response (10-90%)	5 ms (At 600 Ω load)
Ambient temperature (operation)	-20 °C ... 65 °C
Ambient temperature (storage/transport)	-40 °C ... 85 °C
Degree of protection	IP20
Electrical isolation	Basic insulation according to EN 61010
Surge voltage category	II
Pollution degree	2
Rated insulation voltage	50 V AC/DC
Test voltage input/output	1.5 kV (50 Hz, 1 min.)
Test voltage channel/channel	1.5 kV (50 Hz, 1 min.)
Electromagnetic compatibility	Conformance with EMC Directive 2004/108/EC
Noise emission	EN 61000-6-4
Noise immunity	EN 61000-6-2:2005
Color	green
Housing material	PBT
Mounting position	Any
Assembly instructions	The DIN rail bus connector (TBUS) can be used for bridging the supply voltage. It can be snapped onto a 35 mm EN 60715 DIN rail.
Conformance	CE-compliant
ATEX	Ex II 3 G Ex nA II T6 X
UL, USA / Canada	UL 508 Recognized
GL	GL EMC 2 D

#### Certificates / Approvals



Certification	CUL, GL, UL
Certification Ex:	CUL-EX, PxC-EX, UL-EX

**Accessories**

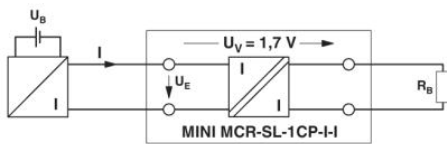
Item	Designation	Description
------	-------------	-------------

**General**

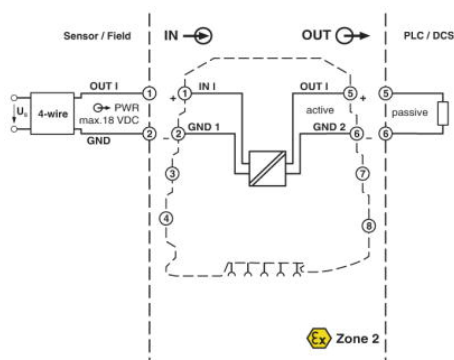
2869728	ME 6,2 TBUS-2 1,5/5-ST-3,81 GN	DIN rail connector (TBUS), 5-pos., for bridging the supply voltage, can be snapped onto NS 35/... DIN rails according to EN 60715
2308111	MINI MCR DKL	Fold up transparent cover for MINI MCR modules with additional labeling option using insert strips and flat Zack marker strip 6.2 mm
2810272	MINI MCR-DKL-LABEL	Label for extended marking of MINI MCR modules in connection with the MINI MCR-DKL
2811268	MINI MCR-SL-V8-FLK 16-A	Eight MINI analog signal converters with screw connection method can be connected to a control system using a system adapter and system cabling with a minimum of wiring and very low error risk.

**Diagrams/Drawings**

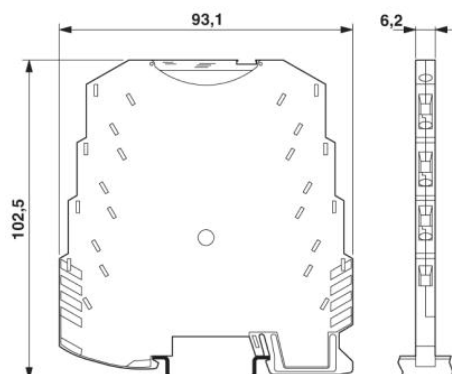
Application drawing



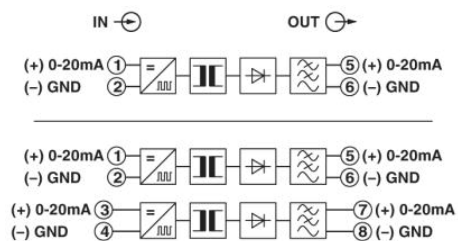
Block diagram



Dimensioned drawing



Circuit diagram



**Address**

PHOENIX CONTACT Inc., USA  
586 Fulling Mill Road  
Middletown, PA 17057, USA  
Phone (800) 888-7388  
Fax (717) 944-1625  
<http://www.phoenixcon.com>



© 2010 Phoenix Contact  
Technical modifications reserved;